



MARKET FORGE

IMPORTANT FOR FUTURE REFERENCE

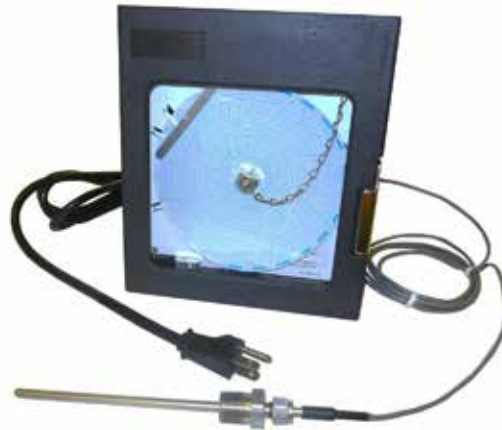
Please complete this information and retain this manual for the life of the equipment:

Model #: _____

Serial #: _____

Date Purchased: _____

INSTALLATION INSTRUCTIONS Sterilmatic Chart Recorder



⚠ WARNING

Improper installation, adjustment, alteration, service or maintenance can cause property damage, injury or death. Read the installation, operating and maintenance instructions thoroughly before installing or servicing this equipment.



DURALINE
BIOSYSTEMS INC

Authorized Market Forge Distributor

Clean
to Sterile
Solutions™

39 Western Hwy.
West Nyack, NY 10994
www.DuralineSystems.com
877-561-0500

Recorder Installation

INSTALLATION FOR OPTIONAL RECORDING THERMOMETER

The optional Recording Thermometer may be surface or panel mounted whichever is preferred.

1. Remove the top cover of the sterilizer. Remove the pipe plug located in the T-fitting that also accommodates the safety relief valve and which is connected directly to the sterilizing chamber. (See figure to the right)
2. Insert the RTD temperature sensor of the temperature recorder through the rectangular cutout in the top cover then into the pipe from which the plug was removed.
3. Make sure RTD temperature sensor is protruding down into the sterilizer cavity but not too much so as to interfere with the sheet metal baffle plate. Tighten the compression fitting. Replace top cover onto the sterilizer.

4. For mounting the recorder on a wall, refer to the recorder manual supplied with the recorder.
5. Electrical connections: The 115/120VAC unit comes with a 6' power cord and three prong plug. This can be plugged into any 120V outlet.

The 220/230VAC unit comes with a 6' power cord and three prong plug. However, due to the many varieties of plugs and outlets you may need to replace the plug with the appropriate plug.

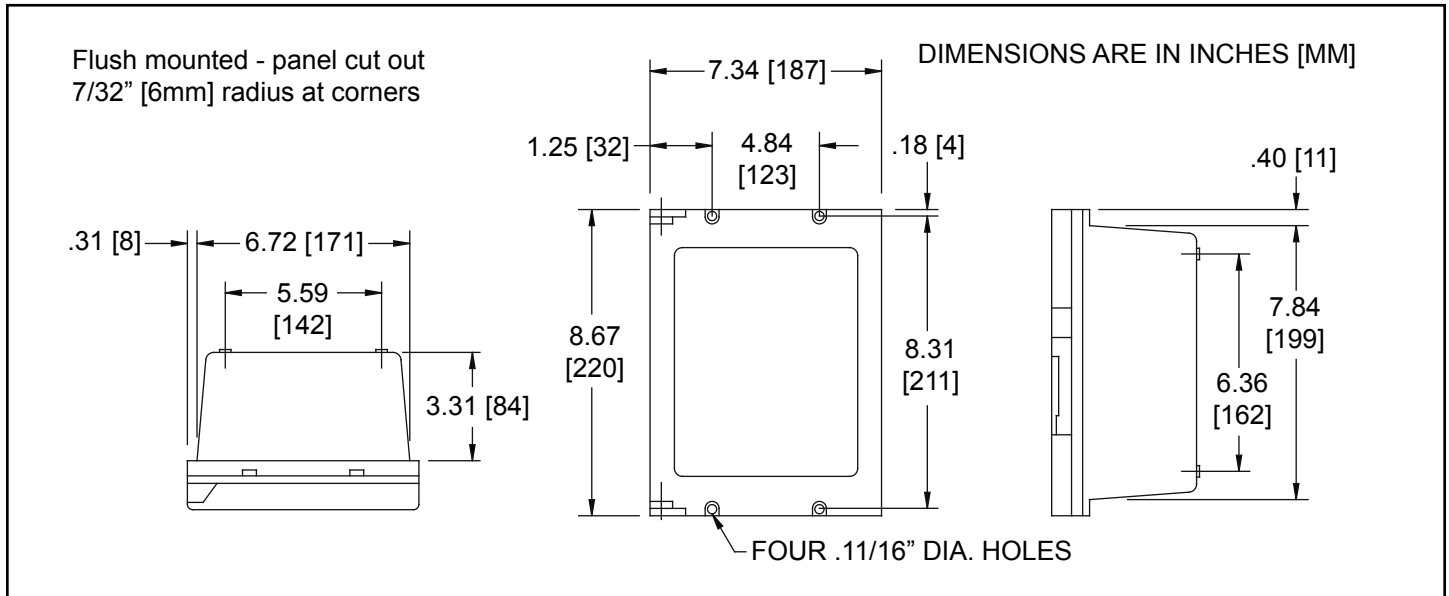


Figure 1

Chart Installation

The Future Design Recording Thermometer is a 24-hour clock and should be run continuously.

Charts should be changed every 24 hours.

TO REMOVE THE CHART

1. Unscrew and remove the chart 'hub' knob (attached to the chain).

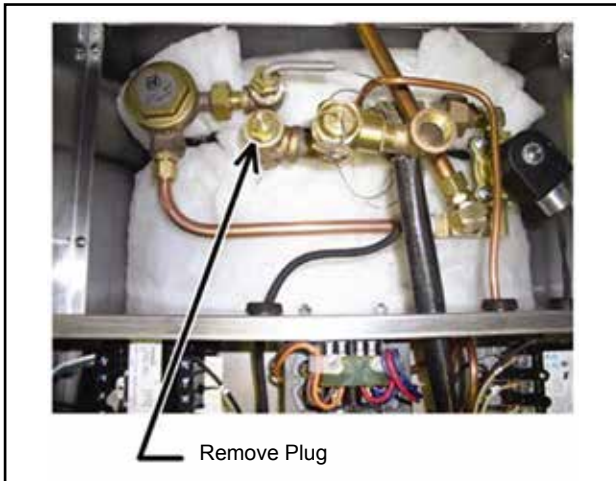


Figure 2

2. Grasp the edge of the chart and lift straight off.

TO INSTALL A NEW CHART

1. Slide edge of the chart under the two raised tabs located under the stylus.
2. Locate the center hole of the chart over the center, threaded rod. Rotate chart to line up the current time of day directly underneath the stylus print head.
3. Screw the chart 'hub' knob back in place, hand tight only.

Replacement Charts for Sterilmatic Chart Recorder

Part Number	Description	Qty.
10-7933	Replacement 24 hour thermometer charts, Fahrenheit, (°F)	50/box
08-6244	Replacement 24 hour thermometer charts, Celsius, (°C)	50/box

Authorized Market Forge Distributor:



39 Western Hwy. West Nyack, 10994
Toll Free: 877-561-0500
www.duralinesystems.com