

INSTRUCTION MANUAL

RPB® PX5® PAPR

CE 2797

EN12941: 1998 + A1:
2003 + A2: 2008
RESPIRATORY PROTECTION



BSI Certified Product

AS/NZS 1716:2012
BMP# 714303
RESPIRATORY PROTECTION

ENGLISH 2

NEDERLANDS 35



EMPLOYERS: Read this manual and the respirator head-top Instruction Manual and carry out the Employer Responsibilities (page 6).

PRODUCT USERS: Read this manual and the respirator head-top Instruction Manual and follow the Product User Safety Instructions (page 8).

Manuals are regularly updated. Make sure this manual is available to all users for reference.

Current version of manual and other languages:

www.rpbsafety.com/resources


The Respiratory Protection **Brand**®

CONTENTS

■ EXPLANATION OF SIGNAL WORDS AND SYMBOLS	2
■ INTRODUCTION	3
■ IMPORTANT SAFETY INFORMATION	
□ PROTECTION PROVIDED AND LIMITATIONS	4
□ EMPLOYER RESPONSIBILITIES	6
□ PRODUCT USER SAFETY INSTRUCTIONS	8
□ RESPIRATORY COMPONENT DIAGRAM - CAUTIONS & LIMITATIONS	12
■ RESPIRATOR SETUP AND CARE	13
■ ALARMS	26
■ INSPECTION, CLEANING AND DISINFECTING	29
■ PRODUCT SPECIFICATIONS AND DATA	31
■ PARTS AND ACCESSORIES	32
■ WARRANTY AND LIABILITY STATEMENT	34
■ NEDERLANDS	35

EXPLANATION OF SIGNAL WORDS AND SYMBOLS

The following signal word and safety symbols are used in this manual and product labeling:

 **WARNING** **WARNING** indicates a hazardous situation that, if not avoided, could result in death or serious injury.



Read the Instruction Manual.

Additional copies of RPB® manuals can be found at www.rpbsafety.com.

TESTED AND CERTIFIED BY:

NB 2797 BSI Group The Netherlands B.V., Say Building, John M. Keynesplein 9, 1066 EP, Amsterdam, NL

PPE REGULATION:

- The PX5® conforms to the PPE Regulation (EU) 2016/425.
- The Declaration of Conformity can be found at rpbsafety.com/resources/
- See the Storage section for information on packaging and protection required for transportation.

RPB® Safety LLC is an ISO9001 certified company.

INTRODUCTION

The RPB® PX5® is approved as a Powered Air Purifying Respirator Fan Unit to EN 12941: 1998 + A1: 2003 + A2: 2008, designed to be used in conjunction with the approved RPB® head-tops. The RPB® PX5® is for applications where there is a need for protection from airborne contaminants such as welding, grinding, painting, construction and other industrial applications, as well as pharmaceutical manufacturing. The PX5® is tested to IP 65 for water and dust ingress while in operation.

This product must be inspected and maintained in accordance with this instruction manual at all times.

See PROTECTION PROVIDED AND LIMITATIONS (page 4) for details.

RPB® SAFETY - GLOBAL HEADQUARTERS

2807 Samoset Rd, Royal Oak, MI 48073, USA

T: 1-866-494-4599 F: 1-866-494-4509 E: sales@rpbsafety.com **rpbsafety.com**

RPB® SAFETY - APAC

3 Robin Mann Place, Christchurch Airport, Christchurch 8053, New Zealand

T: +64-3-357-1761 F: +64-3-357-1763 E: sales@rpbsafety.com **rpbsafety.com**

RPB® SAFETY - EMEA

4QW2+MW Evergem, Belgium

T: +44-800-689-5031 E: sales@rpbsafety.co.uk **rpbsafety.com**

Copyright ©2020 RPB Safety, LLC. All rights reserved. All materials contained on this website are protected by United States copyright law and may not be reproduced, distributed, transmitted, displayed, published or broadcast without the prior written permission of RPB Safety, LLC. You may not alter or remove any trademark, copyright or other notice from copies of the content.

All trademarks, service marks, and logos used in this publication, both registered and unregistered, are the trademarks, service marks, or logos of their respective owners. All rights in the RPB Intellectual Property contained in this publication, including copyright, trademarks, service marks, trade secret, and patent rights are reserved. RPB Intellectual Property means any patent, patented articles, patent applications, designs, industrial designs, copyrights, software, source code, database rights, moral rights, inventions, techniques, technical data, trade secrets, know-how, brands, trademarks, trade names, slogans, logos, and any other common law and proprietary rights, whether registered or unregistered anywhere in the world, that are owned by, developed in whole or in part by, or licensed by RPB Safety, LLC. For technical assistance contact our Customer Service Department at 1-866-494-4599 or email: sales@rpbsafety.com

Form #: 7.20.569

Rev: 1

IMPORTANT SAFETY INFORMATION

WARNING

Improper selection, fit, use, or maintenance of this product can result in injury; life threatening delayed lung, skin or eye disease; or death.

This product is intended for occupational use in accordance with applicable standards or regulations for your location, industry, and activity (see Employer Responsibilities, page 6). Familiarity with standards and regulations related to the use of this protective equipment is recommended, even if they do not directly apply to you. If self-employed or if used in a non-occupational setting, refer to Employer Responsibilities and Product User Safety Instructions. Go to rpb-safety.com/important-safety-information for helpful links to CE standards and other content.

Employers: Read this manual and the respirator head-top Instruction Manual and carry out the Employer Responsibilities (page 6).

Product users: Read this manual and the respirator head-top Instruction Manual and follow the Product User Safety Instructions (page 8).

Check website for updates. Product manuals are regularly updated.

Visit rpb-safety.com/resources for the most recent version of this manual before using the product.

PROTECTION PROVIDED AND LIMITATIONS

RESPIRATION

The RPB[®] PX5[®] is approved in the categories as follows:

Powered Air

The RPB[®] PX5[®] PAPR, when properly fitted and used with all required components, including the Breathing Tube Assembly and the approved head top, is part of an approved powered air purifying respirator. As such, it significantly reduces, but does not completely eliminate, the breathing of contaminants by the respirator wearer. See the instruction manual and approval label for the selected head top for approval with the PX5[®] and the assigned protection factor. Specific protection depends on the filter selected for use in the RPB[®] PX5[®] PAPR. It is approved to be used with the 03-892-P High Efficiency (HE) Filter, the 03-893-A2 Organic Vapor/High Efficiency (OV/HE), 03-894-ABE, and the 03-895-ABEK Multi-Gas Combination Filters.

EQUIPMENT MARKING

The RPB[®] PX5 AIR[®] and its filters are marked in accordance with the EN 12941: 1998 + A1: 2003 + A2: 2008 TH3/2/1. See Table 1.1 for classifications.

TH1, TH2, and TH3 – Indicate the class designation for complete device.

P, R, and SL – reusable Particle Filter against liquid and solid particles.

- 03-892-P P R SL HE Filter class designation
- 03-893-A2 A2P R SL Gas Filter class designation
- 03-894-ABE ABE1P R SL Multi-Gas Filter class designation
- 03-895-ABEK ABEK1P R SL Multi-Gas Filter class designation

Note:

- "A" indicates that the filter provides protection against organic vapors as per the standard and the number following the letter indicates the filter capacity. Color code Brown.
- "B" indicates that the filter provides protection against certain inorganic gases and vapors (excluding CO) as per the standard. Color code Grey.
- "E" indicates that the filter provides protection against sulphur dioxide and other acidic gases and vapors as per the standard. Color code Yellow.
- "K" indicates that the filter provides protection against ammonia and organic ammonia derivatives as per the standard. Color code Green.
- The number following the letter indicates the filter capacity.

Markings on the filter for other standards should not be confused with the EN 12941 standard markings. Each filter cartridge has a label on it with a spot for recording the date and time that the new cartridge was installed. Using a pen or permanent marker, write the date and time the new cartridge was installed into the PX5® PAPR.

MARKINGS AND SYMBOLS ON THE EQUIPMENT



- Read all instructions before use.

Li-Ion

- Lithium Ion Batteries.



- Batteries shall be disposed of as electronic waste.



- Recycle



- RoHS compliant.

HAZARD LIMITATIONS

The RPB® PX5® PAPR is **NOT FOR USE** if:

- In atmospheres immediately dangerous to life or health (IDLH).
- Wearer cannot escape without the aid of the respirator.
- Atmosphere contains less than 21% ±1% oxygen.
- In abrasive blasting applications.
- For protection against certain hazardous gases (e.g., carbon monoxide).
- Contaminants are in excess of regulations or recommendations.
- Contaminants or contaminant concentrations are unknown.
- Work area is poorly ventilated.
- The temperature is outside the range of -20°C to 50°C (-4°F to 122°F). If the internal battery temperature reaches 60°C (140°F) the unit will completely shut down.
- Flammable or explosive atmosphere is present. This system contains electrical parts that are not suitable for use in such environments. The PX5® is not intrinsically safe.

PROTECTION PROVIDED AND LIMITATIONS CONTINUED

APPARATUS CLASSIFICATION AND PROTECTION FACTOR TABLE 1.1

DEVICE CLASSIFICATION EN 12941	APPARATUS MODEL	NOMINAL PROTECTION FACTOR	PARTICULATE FILTER 03-892-P	COMBINED PARTICULATE AND OV FILTER 03-893-A2 or MG FILTER 03-894-ABE or 03-895-ABEK
TH2	Z-LINK® Shoulder Cape	500	✓	✓
TH2	Z-LINK® Face Seal	500	✓	✓
TH1	Z-LINK® Chin Seal	50	✓	✓
TH3	T-LINK®	500	✓	✓
TH2	Z4® Shoulder Cape	50	✓	✓
TH2	Z4® Face Seal	50	✓	✓
TH3	T200™	50	✓	✓

Note: the EN 12941: 1998 + A1: 2003 + A2: 2008 standard is a requirement for loose fitting respirators such as helmets and face shields.

AIR SOURCE

Powered Air

Check that the contaminated area is within the limits of use for a Powered Air Purifying Respirator and determine the type of contamination. Once the contamination level has been confirmed you can then determine the filter cartridge to be used for the application, to make sure that you are sufficiently protected. Make sure that the area is well ventilated and that regular air samples are taken to confirm the atmosphere stays within the levels recommended by local regulations and other governing bodies. Use this data to determine the filter or cartridge replacement schedule.

EMPLOYER RESPONSIBILITIES

Your specific responsibilities may vary by location and industry, but in general RPB® expects that employers will:

■ **Follow all applicable standards and regulations for your location, industry, and activity.**

Depending on your location and industry, a number of standards and regulations may apply to your selection and use of respirators and other personal protective equipment. These may include such things as national, local, or military standards and regulations and consensus standards such as CE and AS/NZS. There are also requirements specific to particular contaminants, e.g. silica (see rpb.com/safety for more information), asbestos, organic pathogens, etc. Know which requirements apply to your location and industry.

■ **Have appropriate safety programs in place.**

Have and follow:

- A workplace safety program.
- A written respiratory protection program in accordance with applicable standards and regulations.

■ **In accordance with the above,**

- Perform a hazard analysis and select appropriate equipment for each activity.** A hazard analysis should be performed by a qualified person. Controls should be in place as appropriate and a qualified person should determine what kind of respiratory, face and eye, head, and hearing protection is appropriate for the intended activities and environments of use. (For example, select a respirator appropriate to the specific airborne hazards, with consideration of workplace and user factors and with an Assigned Protection Factor (APF) that meets or exceeds the required level for employee protection, select welding face and eye protection appropriate to the type of welding to be done, etc.)

As applicable, check your workplace safety program, respiratory protection program, and standards and regulations for your activity or industry for related protection requirements, and see this manual (Protection Provided and Limitations, page 4) and the head top Instruction Manual for product specifications.

- Be sure employees are medically qualified to use a respirator.**
Have a qualified physician or other licensed health care professional (PLHCP) perform medical evaluations using a medical questionnaire or an initial medical examination.
- Train employees in the PX5®'s use, maintenance, and limitations.**
Appoint a qualified individual who is knowledgeable about the RPB® PX5® to provide training:

Qualifications of the Respirator Trainer. Anyone providing respirator training shall:

- a) be knowledgeable in the application and use of the respirator(s);
- b) have practical knowledge in the selection and use of respirator(s) and work practices at the site;
- c) have an understanding of the site's respirator program; and
- d) be knowledgeable of applicable regulations.

Train each PX5® user in the product's use, application, inspection, maintenance, storage, fitting, and limitations in accordance with the content of this Instruction Manual and the approved head top Instruction Manual and standard or regulatory requirements. Ensure that each intended user reads both these manuals.

- Ensure that equipment is properly set up, used, and maintained.**
Make sure that equipment is properly set up, inspected, fitted, used, and maintained, including selection of the appropriate filter cartridge for the application.
- Measure and monitor airborne contaminants in the work area.**
Measure and monitor airborne contaminant levels in the work area in accordance with applicable requirements. Make sure work area is well ventilated.

EMPLOYER RESPONSIBILITIES CONTINUED

■ Exposure limits for mixtures:

The UK Health and Safety Executive standard EH40/2005 lists the Working Exposure Limits for the UK. In Europe, Indicative Occupational Exposure Limit Values are listed in the Directive 2017/164/EU. Consult your country's occupational safety department for Exposure Limits and monitoring recommendations for where the work is being performed.

■ If you have any questions, contact RPB®.

□ Call Customer Service Department at:

Tel: 1-866-494-4599 or

E-mail: sales@rpbsafety.com

Web: rpbsafety.com

PRODUCT USER SAFETY INSTRUCTIONS

BEFORE INITIAL USE - BE TRAINED AND MEDICALLY QUALIFIED

Do not use this device until you have read this manual and the approved head top Instruction Manual (additional copies available at www.rpbsafety.com) and have been trained in the respirator's use, maintenance, and limitations by a qualified individual (appointed by your employer) who is well informed and understands the RPB® PX5® PAPR.

Do not wear this respirator until you have passed a medical evaluation using a medical questionnaire or an initial medical examination by a qualified physician or other licensed health care professional (PLHCP).

Allergens: No known common allergens are used in this product.

Some materials could cause an allergic reaction in susceptible individuals. If you have a known allergy or develop irritation, inform your employer. Irritation may occur from lack of cleaning. Follow all cleaning and care instructions provided in the instruction manuals for this and any other RPB® products you are using.

MAKE SURE THE SYSTEM IS READY FOR USE

Make sure you have a complete system. The PX5® is only one component of an approved respirator system. Verify that you have all required components for the PX5® to serve as a complete approved respirator:

- Respirator Head-top Assembly approved with the PX5®
- Breathing Tube Assembly
- PX5® PAPR

See Respirator Component Diagram (page 12). See the instruction manual and approval label for the selected head top for approval with the PX5® and the assigned protection factor. Use only authentic RPB® brand parts and components that are part of the approved respirator assembly. Using incomplete or inappropriate equipment, including the use of counterfeit or non-RPB® parts, can result in inadequate protection and will void the approval of the entire respirator. Do not modify or alter any part of this product.

Inspect all components daily for signs of damage or wear and tear that may reduce the level of protection originally provided, see Inspection and Cleaning (p. 29) for details. Remove any damaged component or product, including any belt, breathing tube, battery door, seals, or front cover of the PAPR, from service until repaired or replaced. Damaged components should be replaced with genuine RPB® brand replacement parts. Replace HE filter when they are visually dirty, filter media is damaged, or the airflow is reduced. OV/HE and Multi-Gas combination filters should be replaced after each use depending on the contamination. Inspect the prefilter and the spark arrester for damage or blockage. Inspect the inside of the respirator for respirable dust or other foreign objects. Keep the inside of the respirator clean at all times.

Make sure that the PAPR is correctly assembled in the configuration that suits your application. Never use the respirator without a HE filter, OV/HE, or Multi-Gas combination filter in place depending on the application. It is recommended that a prefilter always be used. For applications that produce sparks or high heat, use the FR (Fire Retardant) specific model of the PX5® with the FR belt and spark arrester. The PX5® must always be used with the correct filter(s), the front cover and the cowl to form a complete system, unless otherwise specified. An incomplete system could provide inadequate respiratory protection. *See Respirator Setup and Care (page 13).*

VERIFY THAT YOU HAVE THE APPROPRIATE EQUIPMENT FOR YOUR ACTIVITY

Verify that the PX5® provides appropriate protection for your activity. When applicable, check your workplace safety program, respiratory protection program, and standards and regulations for your activity or industry. (See PROTECTION PROVIDED AND LIMITATIONS, page 4.)

BEFORE DONNING THE PX5®:

Verify airborne contaminants are within recommended limits for respirator use:

- Determine the type and level of contamination. Verify that airborne contaminant concentrations do not exceed those allowed by applicable regulations and recommendations for powered air purifying respirators or supplied air respirators.

Select the correct filter cartridge for the contamination and application:

- **PAPR:** Once the contamination level has been confirmed, determine the correct filter to be used for the application, to make sure that you are sufficiently protected.

Make sure the area is ventilated and monitored:

- Make sure that the area is well ventilated and that regular air samples are taken to confirm the atmosphere stays within the levels recommended by local regulations and other governing bodies.

If you have any questions, ask your employer.

DO NOT ENTER THE WORK AREA if any of the following conditions exist:

- Atmosphere is immediately dangerous to life or health.
- You cannot escape without the aid of the respirator.
- Atmosphere contains less than 21% ±1% oxygen.

PRODUCT USER SAFETY INSTRUCTIONS CONTINUED

- If flammable or explosive atmosphere is present. This system contains electrical parts that are not suitable for use in such environments. The PX5[®] is not intrinsically safe.
- Contaminants are in excess of regulations or recommendations.
- Contaminants or contaminant concentrations are unknown.
- Work area is poorly ventilated.
- The work area is a confined space (unless proper measures are taken).
- The temperature is outside the range of -20°C to 50°C (-4°F to 122°F).

LEAVE THE WORK AREA IMMEDIATELY IF:

- Any product component becomes damaged.
- Vision is impaired.
- Airflow stops or slows down, or alarm sounds. Do not use Powered Air Purifying Respirators if airflow is less than 170 slpm (6 cfm).
- Breathing becomes difficult.
- You become dizzy, nauseous, too hot, too cold, or ill.
- Your eyes, nose, or skin become irritated.
- You taste, smell, or see contaminants inside the helmet.
- You have any other reason to suspect that the respirator is not providing adequate protection.

⚠ WARNING When the alarm sounds, keep the respirator turned on, filter installed, and breathing tube connected while leaving the work area. Wearing the respirator with power off is considered an abnormal situation. When the unit is turned off, it provides little or no respiratory protection. A rapid build-up of carbon dioxide and depletion of oxygen within the hood may occur. If this occurs, you may need to remove the respirator as you leave. (This respirator must not be used in an atmosphere immediately dangerous to life or health.)

PRODUCT CARE

Never place the PX5[®] on hot surfaces. Do not apply paints, solvents, adhesives or self-adhesive labels except as instructed by RPB[®]. This product may be adversely affected by certain chemicals.

See the "Inspection and Cleaning" section for cleaning instructions.

INSTRUCTIONS FOR SPECIFIC USES OR ENVIRONMENTS

Welding and Grinding

For welding, grinding, and other applications that produce sparks or high heat, be sure to use the FR (Fire Retardant) specific model of the PX5[®] with the FR belt and spark arrestor in place, see "Respirator Setup and Care" (page 13).

Confined Spaces

If this respirator is used in confined spaces, ensure the area is well ventilated and that all contaminant concentrations are below those recommended for this respirator. Follow all procedures for confined space entry, operation, and exit as defined in applicable regulations and standards.

Welding in Confined Spaces

Welding in a confined space can present an atmospheric hazard due to the generation of contaminants and displacement of oxygen. A pressure-demand SCBA or a multifunctional pressure-demand supplied-air respirator with self-contained air supply shall be used during welding in confined spaces when welding can reduce the ambient oxygen level and supplemental ventilation and atmospheric monitoring are not provided. For more information on respirator types refer to local regulations and standards.

Environments Containing Organic Vapors or Acid Gases

Use the OV/HE Combination filter part# 03-893-A2 or the Multi-Gas Combination filter part# 03-894-ABE or 03-895-ABEK.

RPB PX5 PAPER

RESPIRATOR COMPONENT DIAGRAM

The RPB® PX5® is one component of the three main components that constitute a powered air purifying respirator. (Note the T-Link® has been used in the diagram as an example.)

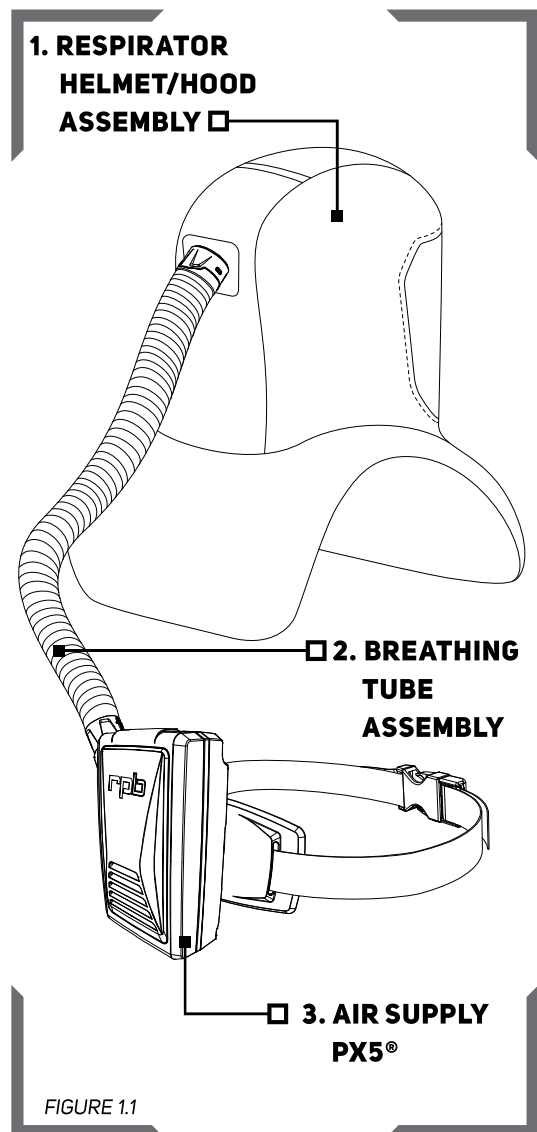


FIGURE 1.1

CAUTIONS AND LIMITATIONS

POWERED AIR

- A. Not for use in atmospheres containing less than 21% ±1% percent oxygen.
- B. Not for use in atmospheres immediately dangerous to life or health.
- C. Do not exceed maximum use concentrations established by regulatory

standards.

- F. Do not use powered air-purifying respirators if airflow is less than 115 lpm (4 cfm) for tight fitting face pieces or 170 lpm (6 cfm) for hoods and/or helmets.
- H. Follow established cartridge and canister change schedules or observe ESLI to ensure that cartridge and canisters are replaced before breakthrough occurs.
- I. Contains electrical parts that may cause an ignition in flammable or explosive atmospheres.
- J. Failure to properly use and maintain this product could result in injury or death.
- L. Follow the manufacturer's User's Instructions for changing cartridges, canister and/or filters.
- M. All approved respirators shall be selected, fitted, used and maintained in accordance with applicable regulations.
- N. Never substitute, modify, add or omit parts. Use only exact replacement parts in the configuration as specified by the manufacturer.
- O. Refer to user's instructions, and/or maintenance manuals for information on use and maintenance of these respirators.
- P. This respirator has not been evaluated for use as surgical mask.

RESPIRATOR SETUP AND CARE

BATTERY PACK

⚠ WARNING To reduce the risk of battery fire, explosion, fire, or electric shock with the charger, follow these precautions and procedures:

Before charging

- Allow the battery to cool before charging if it feels hot.
- Inspect the battery pack before every charge. If there are any cracks or damage do not charge the battery pack.
- Inspect the charger and power cords before use. Replace if any parts are damaged. Do not substitute, modify or add parts to the chargers. Do not attempt to service the chargers. There are no user-serviceable parts inside.
- Use only the provided charger and cord.

Where to charge

Charge only:

- indoors,
- in a dry area,
- away from sources of heat,
- away from anything that can burn if exposed to heat or flame,
- in a well-ventilated place,
- where the charger can be monitored and easily observed during charging.

For mounting battery chargers to DIN rail, purchase the desired length from any electrical supply company "Top Hat Rail IEC/EN 60715" 35mm tall. 7.5 or 15 mm depth rail can be used. See "INSTALL BATTERY CHARGER ON A WALL" section for more instructions.

Battery care for Part # 03-855

- Do not use the battery outside the recommended temperature limits -20°C to 50°C (-4°F to 122°F).
- Do not charge the battery outside the recommended temperature limits 0° C to 45° C (32° F to 113° F).
- Do not store the battery outside the recommended temperature limits -20° C to 50° C (-4° F to 122° F).

Battery care for Part # 03-856

- Do not use the battery outside the recommended temperature limits -4° F to 140° F (-20° C to 60° C)
- Do not charge the battery outside the recommended temperature limits 32° F to 113° F (0° C to 45° C).
- Do not store the battery outside the recommended temperature limits of:
 - Less than 1 month: -20° C to 50° C (-4° F to 122° F) <90% RH
 - Less than 3 months: -20° C to 40° C (-4° F to 104° F) <85% RH
 - Less than 12 months: -20° C to 20° C (-4° F to 68° F) <85% RH

Do not disassemble or immerse the battery or charger in water or other liquids.

RESPIRATOR SETUP AND CARE CONTINUED

The battery can short if the contacts are accidentally connected by metal other than the PX5[®] or the charger. To reset the battery, place the battery on the charging station. The battery will be ready to use again. While measures have been taken to protect the battery, damage can still occur, so be careful not to short any contacts together.

Long term storage

Charge the battery until only 2 LEDs have been displayed on the charger for around 20 minutes before storing. Then place on the charger for 1½ hours every 3 months.

Disposal

Dispose of battery packs according to local regulations. Do not crush, disassemble, dispose of in standard waste bins, in a fire, or send for incineration. Failure to properly dispose of battery packs may lead to environmental contamination, fire or explosion.

CHARGING THE BATTERY PACK

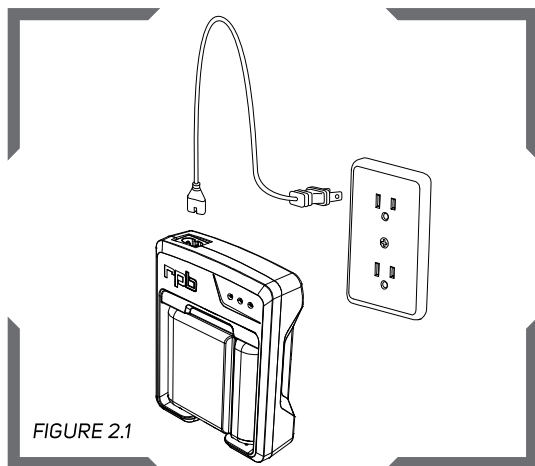


FIGURE 2.1

Connect the power cord to the charging station. Connect the other end of the power cord to the electrical source (110-240v).

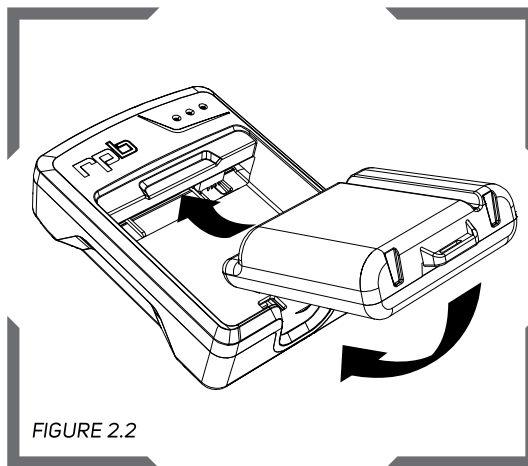


FIGURE 2.2

Fit the battery into the charging station by sliding the top of the battery into the charger housing and then rotate the battery down until it clicks into place.

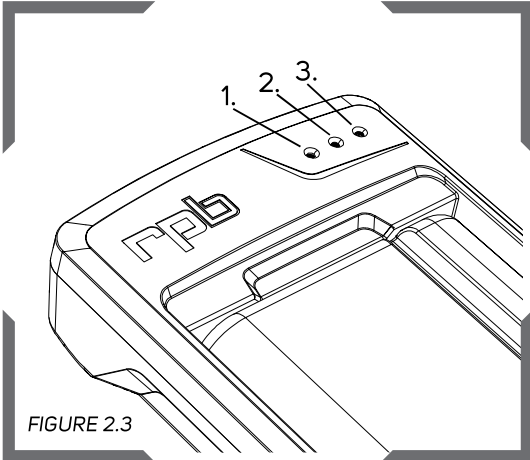


FIGURE 2.3

Follow the indicator lights on the top right corner of the charging station to know the status of the charge process. 1 blinking LED = low charge. 2 blinking LEDs = medium charge, 3 blinking LEDs = high charge, 3 solid LEDs = fully charged, approx. 95-100% charged.

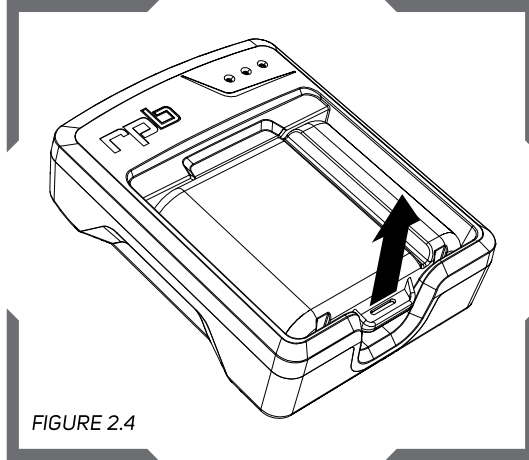


FIGURE 2.4

To remove the battery from the charging station, grip the charger housing firmly if not fixed in place, pull up on the tab on the bottom of the battery and slide the battery from the charger housing.

INSTALL BATTERY CHARGER ON A WALL

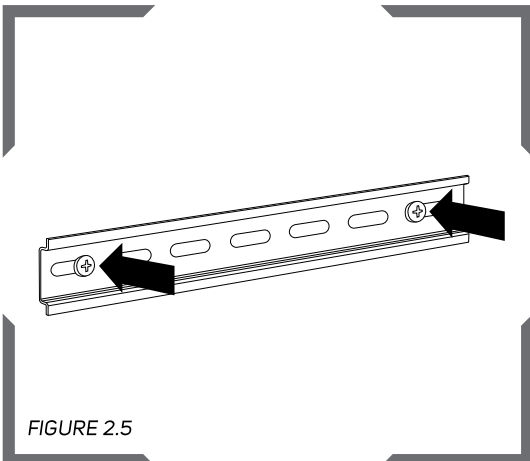


FIGURE 2.5

Using a desired length of DIN rail, depending on how many chargers you want to mount to it. Screw the DIN rail into the desired location for charging. Ensure the location of this mount meets those specified in the recommendations on page 13.

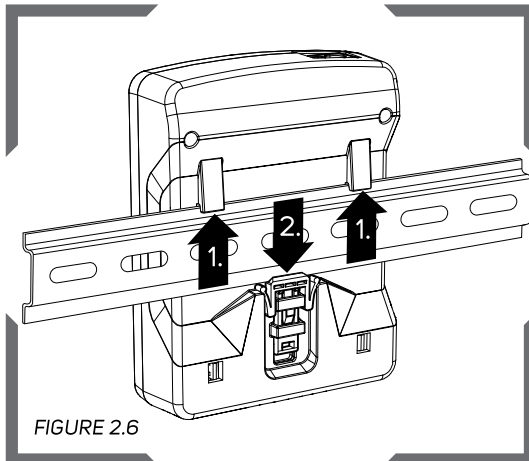


FIGURE 2.6

Hook the battery charger using the small tabs on the back over the top edge of the DIN rail (1.) and then rotate it down until it clicks over the bottom edge of the DIN rail (2.). The bottom tab should return to the resting location. Pull gently to test.

RESPIRATOR SETUP AND CARE CONTINUED

MULTIPLE CHARGERS ONTO A DIN RAIL

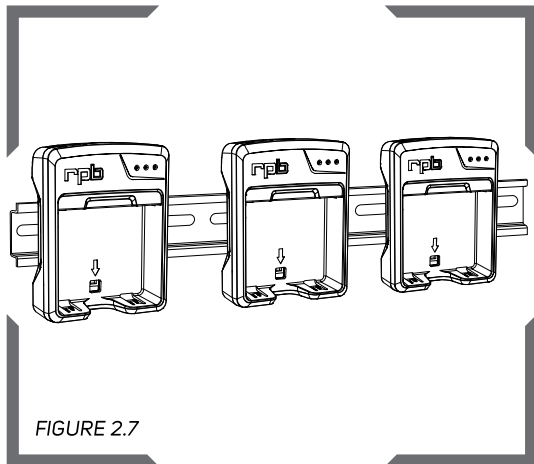


FIGURE 2.7

If required, multiple chargers can be mounted onto the DIN rail as per figure 2.6.

REMOVE CHARGER FROM DIN RAIL

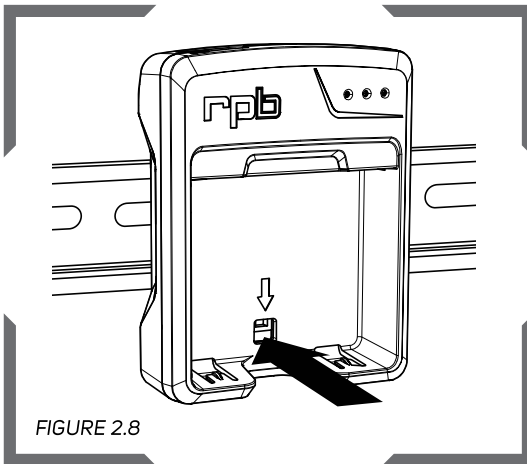


FIGURE 2.8

Remove the charger from the DIN rail using a flat head screw driver. Pull down the tab inside the cutout in the charger to release the clip from the DIN rail. Pull the charger from the DIN rail at the bottom and then lift the charger off.

INSTALL THE BATTERY PACK

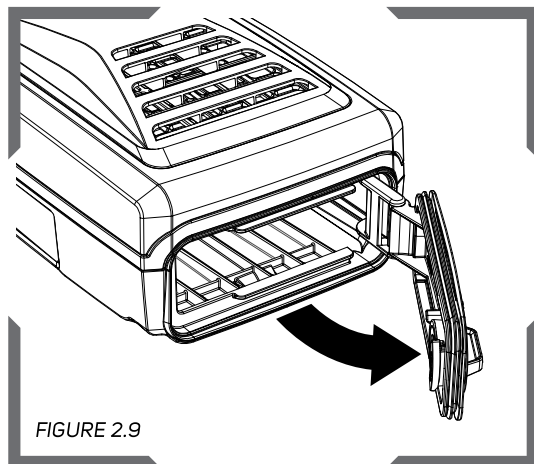


FIGURE 2.9

To insert the battery into the PX5®, open the battery compartment door on the bottom of the unit by twisting the knob to “unlocked”.

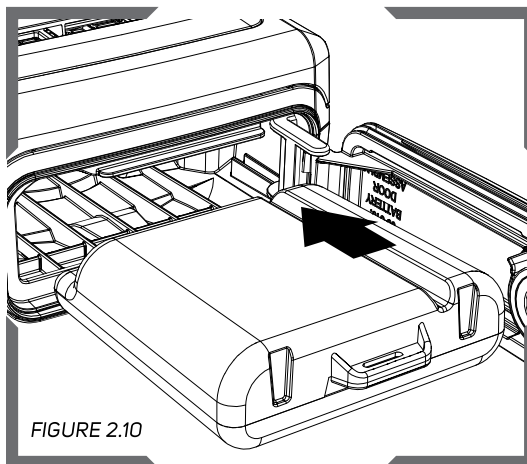


FIGURE 2.10

Slide the battery into the battery compartment of the PX5® by lining up the slot on the battery with the guide on the inside of the unit.

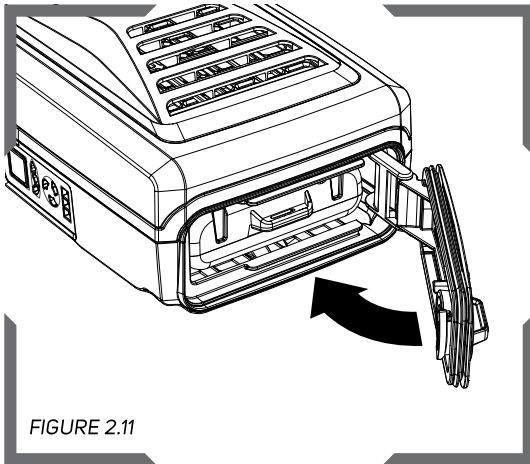


FIGURE 2.11

Close the battery compartment door, making sure the seal around the door properly seats and the latch securely engages. The door must be completely closed and sealed for the IP 65 rating and to protect the unit from damage from liquids or debris.

CHANGE BATTERY DOOR SEAL

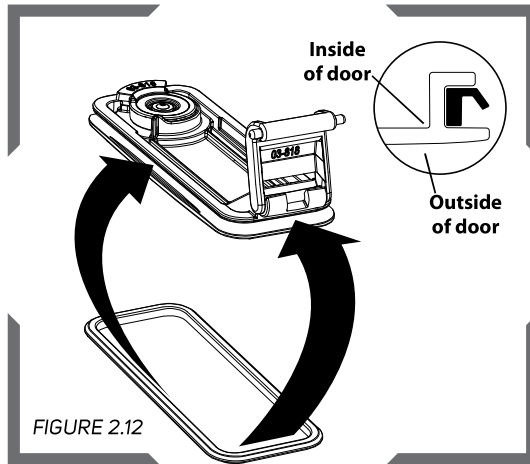


FIGURE 2.12

With the battery door off or open, remove the old seal. Note the orientation of the lip on the seal. Place the new seal into position by stretching it around the door, into the channel around the edge of the door.

REPLACE THE BATTERY DOOR HINGE

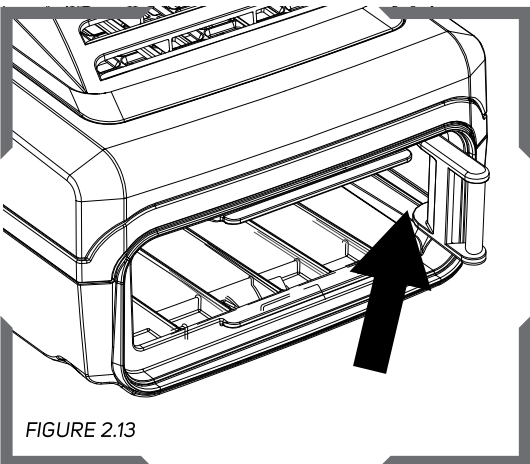


FIGURE 2.13

Remove the battery door, then slide the hinge back into the unit to remove it from the track inside of the battery compartment.

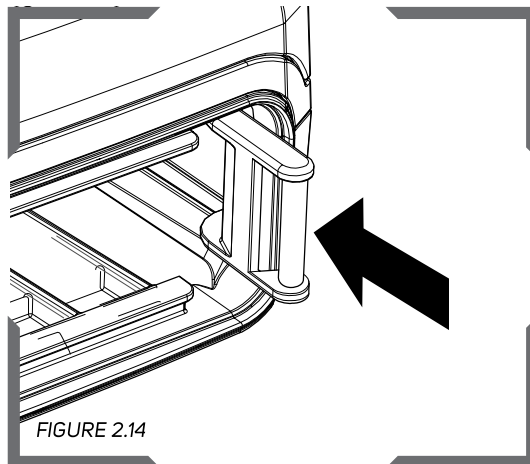


FIGURE 2.14

Slide the new hinge into the battery compartment with the pegs on the hinge in the tracks. Then snap the battery door onto the hinge crossbar.

RESPIRATOR SETUP AND CARE CONTINUED

FILTERS

Before installing a filter, make sure that the sealed plastic packaging is still intact. Once the seal is broken the filter is exposed to the environment and may become contaminated. Before inserting the filter make sure that the following points are checked:

1. Check the PAPR is turned off and the fan is not running before opening the door of the unit.
2. Inspect the filter for tears or any sign of damage to the filter media.
3. Inspect the seal on the back side of the filter is clean and free of cuts or distortions.
4. Mark the installation date/time onto the filter or cartridge.

High Efficiency (HE) Filter

Use the 03-892-P HE filter in atmospheres that contain only solid or liquid particulates, such as dusts, mists, or fumes.

WARNING

The HE filter does not remove organic vapors or acid gases. Use the 03-893-A2 OV/HE, 03-894-ABE or 03-895-ABEK Multi-Gas combination filters for those types of contaminants.

Organic Vapor/High Efficiency (OV/HE) A2P Combination Filter

Use the OV/HE combination filter 03-893-A2 in atmospheres that may contain organic vapors and gases, such as solvents, and gases. Some of these gases and vapors include sulphur dioxide, chlorine, hydrogen chloride, hydrogen fluoride, chlorine dioxide and organic vapors. See the RPB® Filter Substance Chart for a list of substances and the correct filter to use. The Filter Substance Chart is available for download at www.rpbsafety.com/air-monitoring-filtration-supply/px5. Some substances, such as carbon monoxide, can not be filtered out with a PAPR and may require supplied air or SCBA.

Multi-Gas/High Efficiency ABE1P Combination Filter

Use the Multi-Gas combination filter 03-894-ABE in atmospheres that may contain gases such as Organic vapors, Sulfur dioxide, Chlorine dioxide, Chlorine, Hydrogen chloride, Hydrogen sulfide, Methylamine, Hydrogen fluoride, and Formaldehyde. See the RPB® Filter Substance Chart for a list of substances and the correct filter to use. The Filter Substance Chart is available for download at www.rpbsafety.com/air-monitoring-filtration-supply/px5. Some substances, such as carbon monoxide, can not be filtered out with a PAPR and may require supplied air or SCBA.

Multi-Gas/High Efficiency ABEK1P Combination Filter

Use the Multi-Gas combination filter 03-895-ABEK in atmospheres that may contain gases such as Organic vapors, Sulfur dioxide, Chlorine dioxide, Chlorine, Hydrogen chloride, Hydrogen sulfide, Methylamine, Hydrogen fluoride, Ammonia, Formaldehyde. See the RPB® Filter Substance Chart for a list of substances and the correct filter to use. The Filter Substance Chart is available for download at www.rpbsafety.com/air-monitoring-filtration-supply/px5. Some substances, such as carbon monoxide, can not be filtered out with a PAPR and may require supplied air or SCBA.

Service Life of HE Filter, OV/HE Combination Filter, Multi-Gas Combination Filters, Prefilter and Spark Arrestor

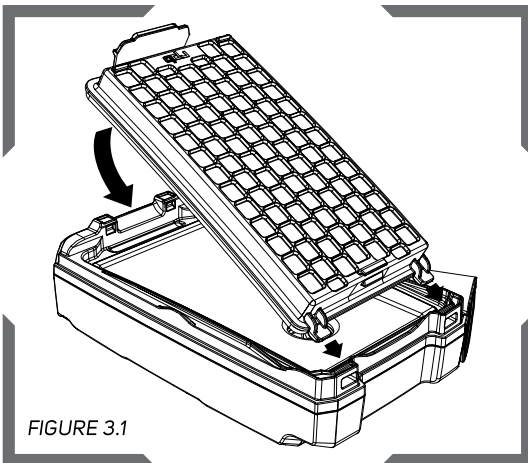
Filters must be replaced in accordance with the replacement schedule in your respiratory protection plan using the in service date and time marked on the filter at installation.

The HE filter should be replaced if the airflow alarm is activated, or the flow indicator reading falls below the 6cfm (170 slpm) minimum airflow. The HE filter should also be replaced if there is damage to the filter media, such as a tear or puncture, etc., or the filter media becomes wet. The PX5® is approved to only be used with genuine RPB® filters and cartridges.

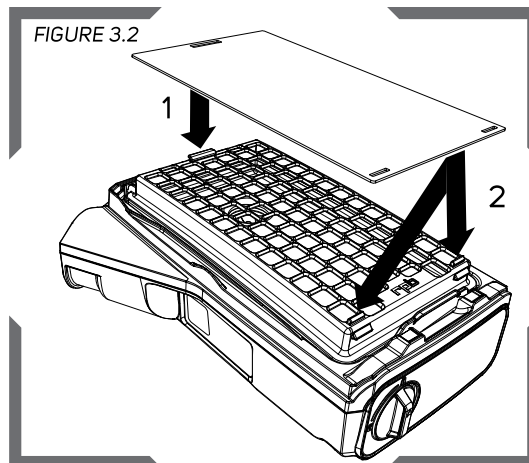
The OV/HE or Multi-Gas combination filters should be replaced after each use or as determined by the employer based on exposure calculations, or if any of the above HE filter conditions apply.

The Prefilter is recommended to be replaced when it is dirty or damaged or at the same time as the HE, OV/HE, or Multi-Gas Filter. The Spark Arrestor should be replaced if it becomes damaged or clogged with debris.

TO INSTALL THE HIGH EFFICIENCY FILTER AND PREFILTER



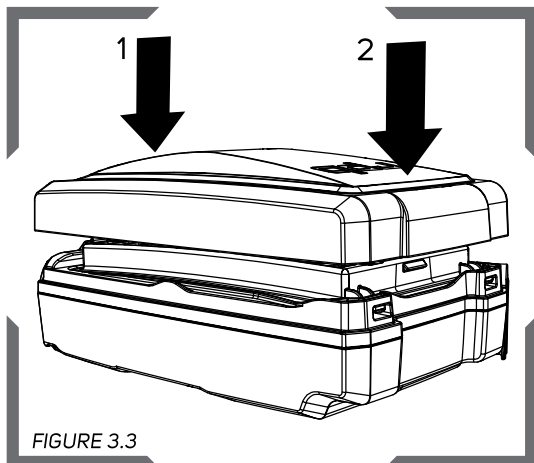
Mount the 03-892-P HE Filter into the PX5® by placing the tabs through the slots in the top edge of the PX5® filter area and rotate the filter down until the bottom tab snaps into place. Check that both tabs on the filter latch are secure.



The prefilter can be attached to the HE Filter or Gas Combination Filter before or after the filters are installed onto the PAPR. Secure the prefilter onto the top tab (1.) on the HE filter and then over the bottom tabs (2.) on the bottom of the filter.

RPB PX5® PAPR

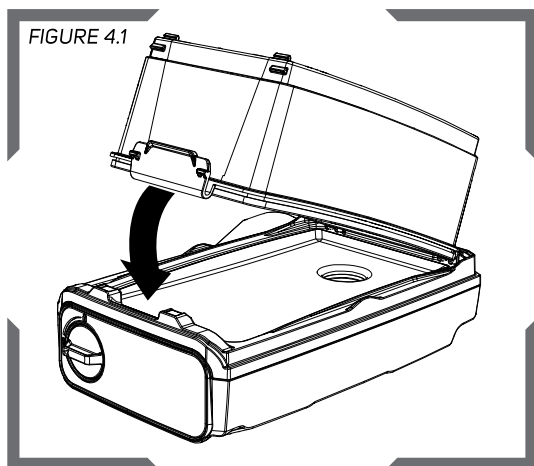
RESPIRATOR SETUP AND CARE CONTINUED



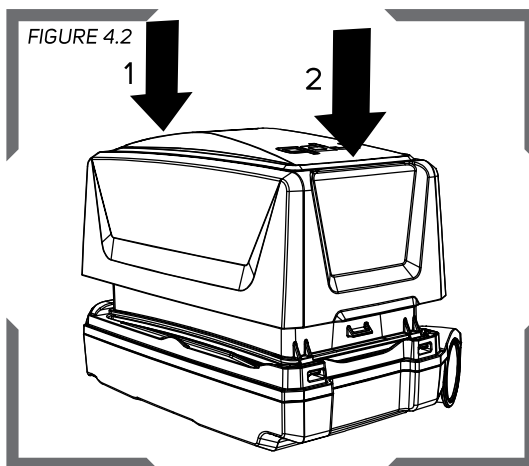
Orient the filter door with the handle cutout towards the top, opposite the battery door. Reattach the filter door by placing the door over the unit with filter in place and pressing on top (1) and bottom (2) until firm. You should hear a click and there should be little to no gap visible when clipped.

⚠ WARNING The PX5® filter doors will not attach without a filter or combination filter in place. Never use the PAPR without a filter combination filter in place.

TO INSTALL THE OV/HE OR MULTI-GAS COMBINATION FILTER



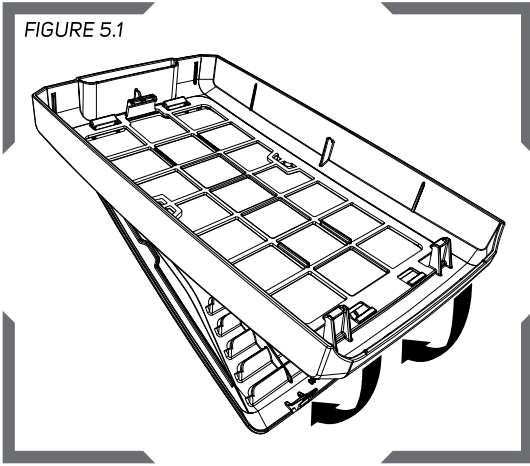
Slide the two tabs on the top end of the filter into the slots on top edge of the PX5®. Rotate the filter down until the bottom tab snaps into place. Check that both tabs on the filter latch are secure. Install prefilter onto the gas filter following the same steps as in Figure 3.2.



Attach the filter door by placing the door over the unit with filter in place and pressing on top (1) and bottom (2) until firm. You should hear a clip and there should be little to no gap visible when clipped. Note, filter must be attached for the door to assemble.

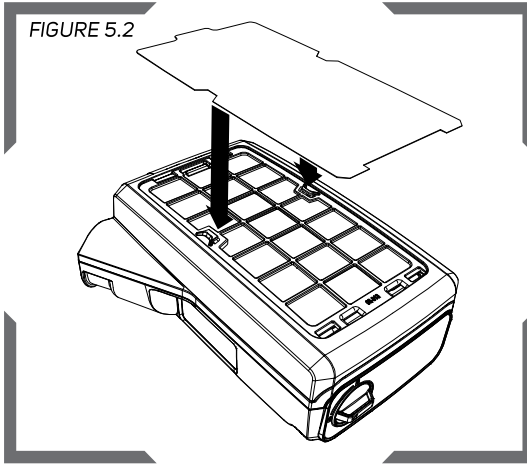
TO INSTALL/REPLACE THE SPARK ARRESTOR

FIGURE 5.1



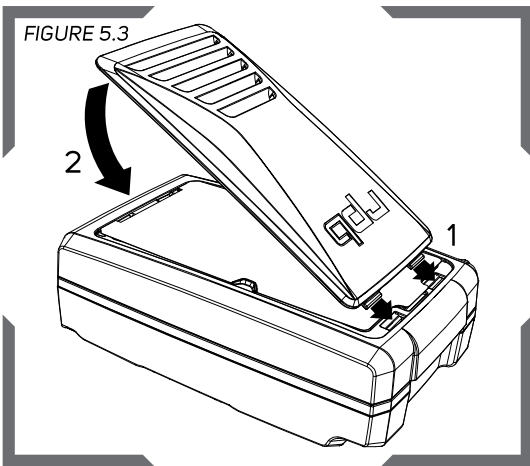
Remove the green spark arrester cover by removing the filter door and then pushing up on the tabs that hold the spark arrester cover in place.

FIGURE 5.2



Place the filter door back onto the PX5®. Secure the spark arrester under the tabs on the front of the filter door.

FIGURE 5.3



Reattach the spark arrester cover by rotating the tabs on the top into the slots in the filter door (1). Rotate the cover down until it clips in securely at the bottom (2).

RESPIRATOR SETUP AND CARE CONTINUED

FILTER REMOVAL

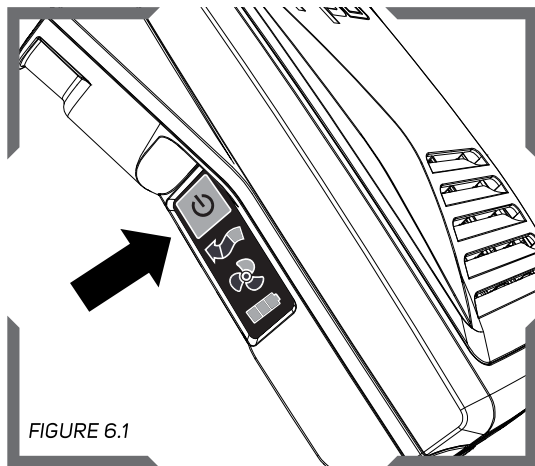


FIGURE 6.1

Make sure the PX5® fan unit is turned off before opening the Filter Door. (Note: Press and hold button to power off.) If the unit is on, contaminants may get pulled into the unit and the suction may make it hard to remove the filter.

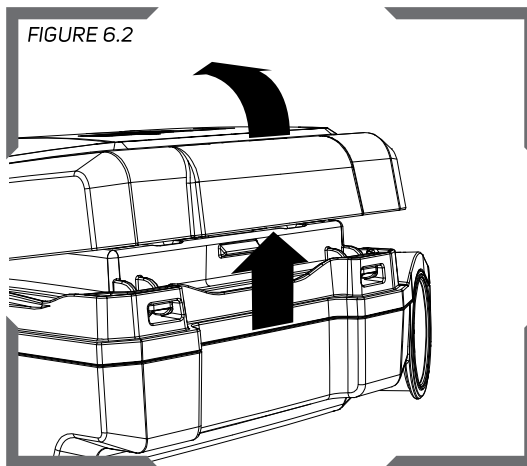


FIGURE 6.2

(1.) Lift up the back edge of the top of the filter door, (2.) rotate the door up and remove.

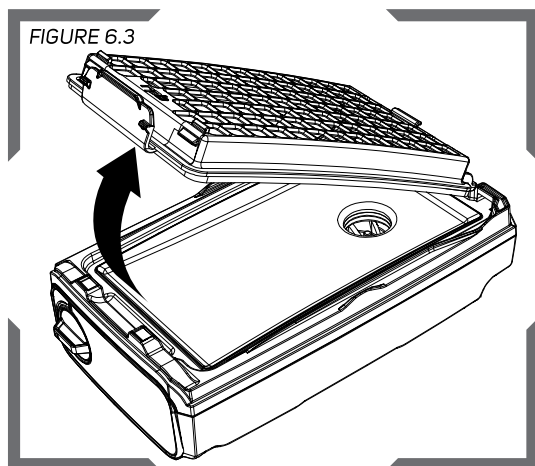
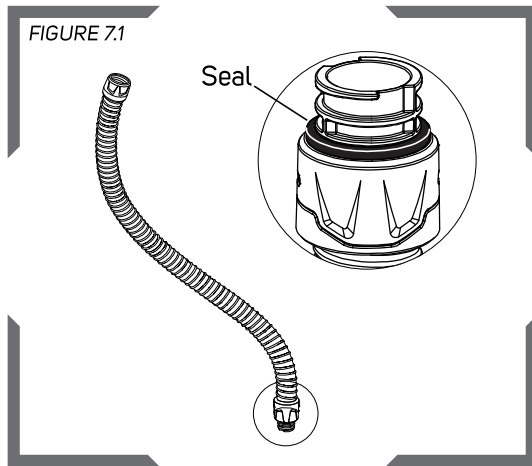


FIGURE 6.3

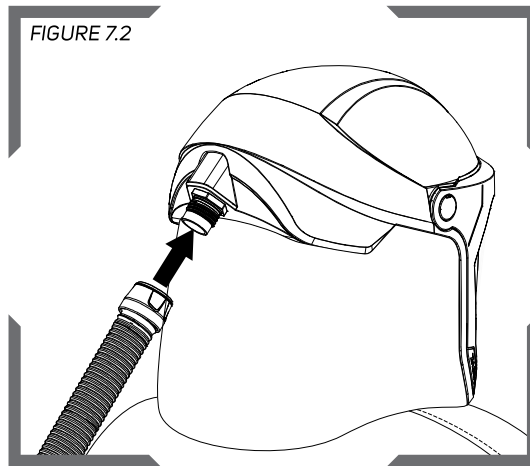
Remove the filter from the PX5® by pressing on the tab at the bottom end of the filter and lift up. Dispose of it in a responsible and safe manor in accordance with regulations. Install new filter and inspect/replace O3-890 prefilter.

⚠ WARNING Depending on the contaminants filtered by the PX5®, the used filter itself may be hazardous. Take appropriate precautions when handling to avoid exposure to released contaminants; a company disposal procedure may be needed.

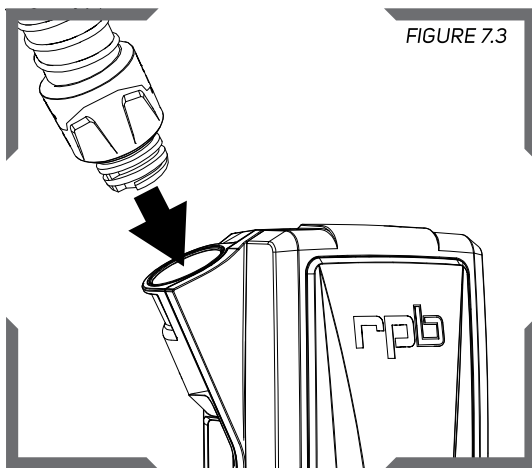
BREATHING TUBE



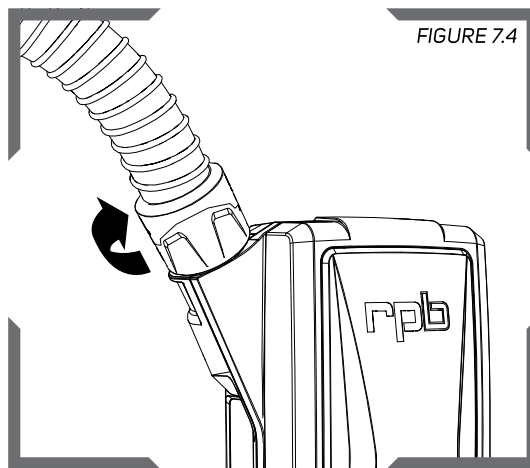
Inspect the breathing tube (04-831) and ensure there is no damage and that the o-rings are in place and in good condition.



Screw the threaded end onto the inlet of the respirator.



Take the bayonet end, insert the connection into the PX5® and make sure the slots line up with the pegs in the PX5® outlet.



Twist the breathing tube clockwise 1/2 turn to lock into position. Make sure that it is fully locked in position.

RESPIRATOR SETUP AND CARE CONTINUED

POWER BUTTON

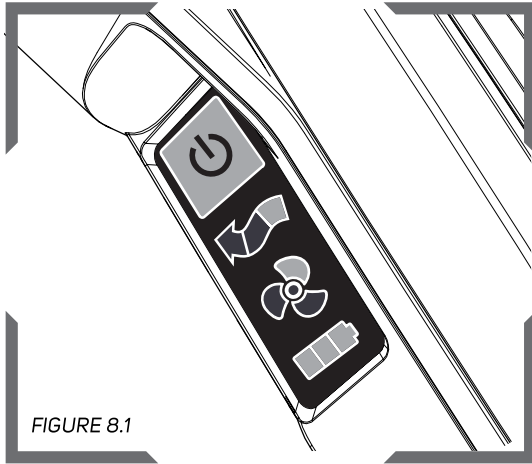


FIGURE 8.1

The power button is on the left side of the unit as you look at the front of the PX5®. **POWER ON:** Press and hold the power button (for about 1 second). The unit will vibrate and make an audible beep on start-up. Note the unit will always start up in the low speed setting and should reach nominal flow within 5-10 seconds. Allow the unit to warm up for 5 minutes or until the flow meter (03-819) is in the safe range before use, so that there is sufficient air flow. (See the Flow Tube section for how to read the measurement.)

POWER OFF: Press and hold the power button (for about 1 second) and the unit will turn off.

INDICATOR LIGHTS AND ALARMS

The indicator lights are an advance indicator for air flow and the battery to notify the user of the status of the unit before donning or to be checked while in use. If the alarm sounds, leave the work area immediately to troubleshoot the cause of the alarm. Alarm volume is 85 dBA at 4" (104 mm) from the unit.

ALARMS TABLE 1.1

LOW AIRFLOW ALARM	The alarm sounds with a flashing red LED in the flow indicator when the airflow to the hood falls to 6 cfm (175 slpm) for more than 5-10 seconds in duration.
LOW BATTERY CHARGE ALARM	The alarm sounds with a flashing red LED in the battery indicator when there is 5% or less charge remaining in the battery.
BATTERY OVERHEATING	The alarm will sound if the battery is overheating. If the unit is operated outside the operating temperature range for 10 minutes the battery alarm will activate.
OTHER ALARMS	The alarm sounds if there is a battery fault or a general system failure at startup or during operation in combination with flashing LEDs.

⚠ WARNING

When the alarm sounds, keep the respirator turned on, filter installed, and breathing tube connected while leaving the work area. When the unit is turned off, it provides little or no respiratory protection. A rapid build-up of carbon dioxide and depletion of oxygen within the hood may occur. If this occurs, you may need to remove the respirator as you leave. (This respirator must not be used in an atmosphere immediately dangerous to life or health.)

HE FILTER BLOCKAGE INDICATOR LIGHTS

! WARNING

The HE Filter Blockage Indicator Lights warn about the airflow related to the HE filter. They do not indicate the service life of gas filters. For gas filtration, follow the replacement plan specified in your respiratory protection program.

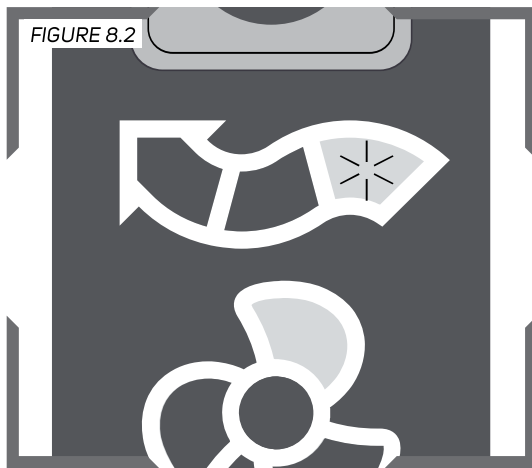


FIGURE 8.2

HE Filter blockage is indicated on the User Interface Panel by the multi-colored arrow under the power button.

- Green = Normal operation
- Yellow = Adequate airflow, Some blockage detected, HE filter at 20% or less capacity left for filtration.
- Red = Blockage detected - either airflow path is obstructed or HE filter is at 10% or less remaining capacity.
- Alarming = Blockage more severe, safely exit the work area.

Once outside of the work area, power the unit down and resolve the problem. Check the filter for blockage or anything obstructing the air path to the head-top. If the filter is blocked due to contaminants, replace the filter with a new one.

FAN SPEED

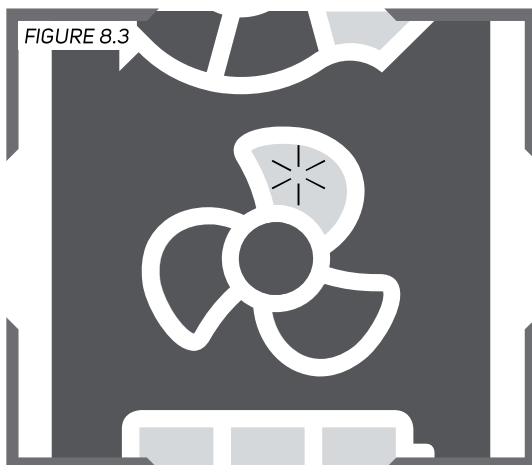


FIGURE 8.3

Speed Settings: Cycle through the 3 speed settings by pressing the Power Button. Each short button press will advance through these speed settings.

BATTERY LEVEL

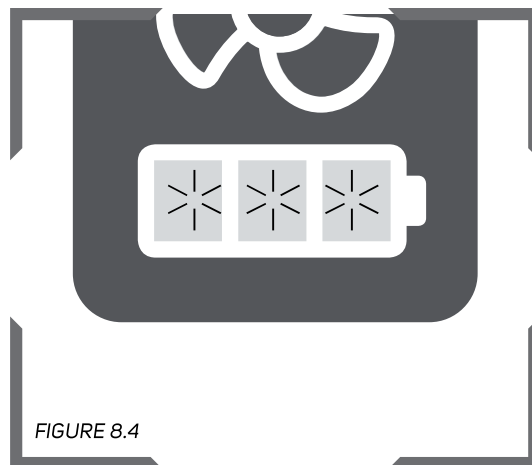


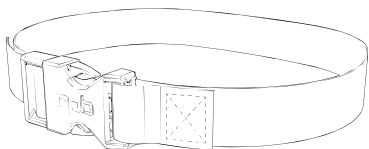
FIGURE 8.4

The battery level is indicated by the battery shaped LED panels on the side of the PX5®. 3 green LEDs = fully charged, 2 green LEDs = 25-75% charged, 1 green LED = less than 25% charged, 1 red LED blinking and alarm = 5% or less charge remaining, the battery needs to be charged and is about to turn off.

RESPIRATOR SETUP AND CARE CONTINUED

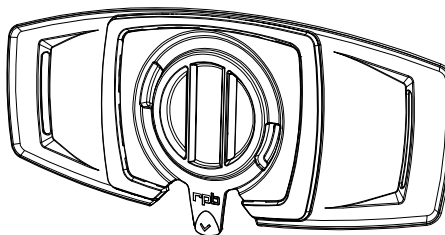
BELT REPLACEMENT

FIGURE 9.1



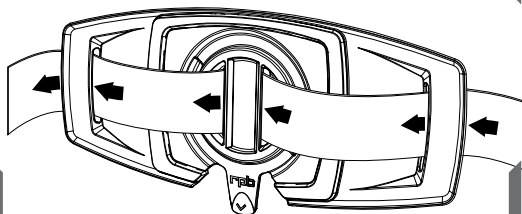
Choose the appropriate belt for the working environment. We offer a variety of belt options for different applications. Refer to the parts list for available belt options.

FIGURE 9.2



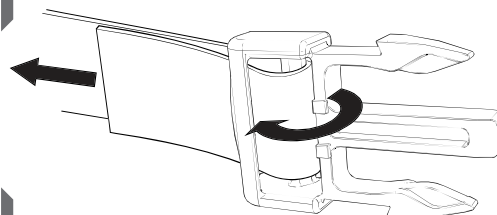
To thread the belt through the support, start with it detached from the PX5[®].

FIGURE 9.3



Thread the belt through the belt bracket as shown above, note the orientation.

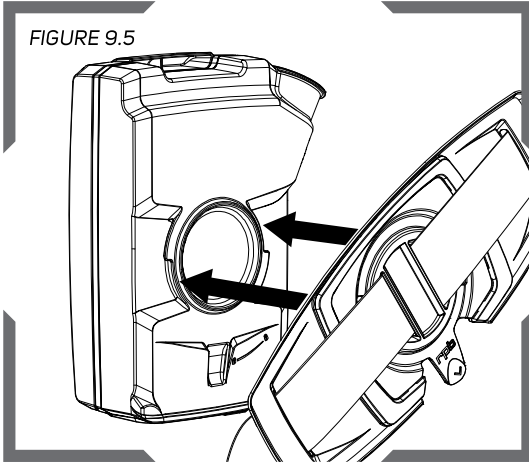
FIGURE 9.4



Now thread the clip end of the buckle onto the belt and pull to the desired length in the sequence shown above.

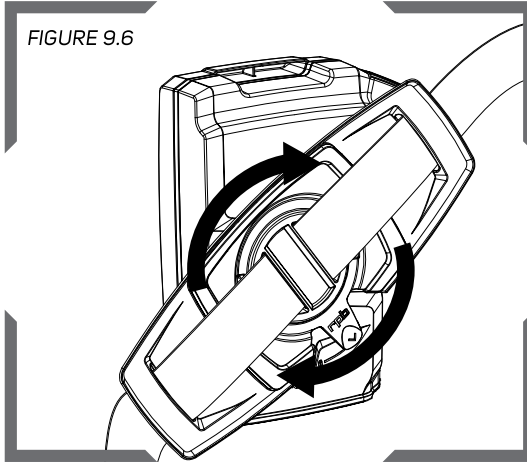
BELT/BACKPACK SUPPORT ATTACHMENT

FIGURE 9.5



Line up the circular slots of the bracket with the tabs on the back of the PX5®. The locking tab on the belt bracket should be facing towards the bottom.

FIGURE 9.6

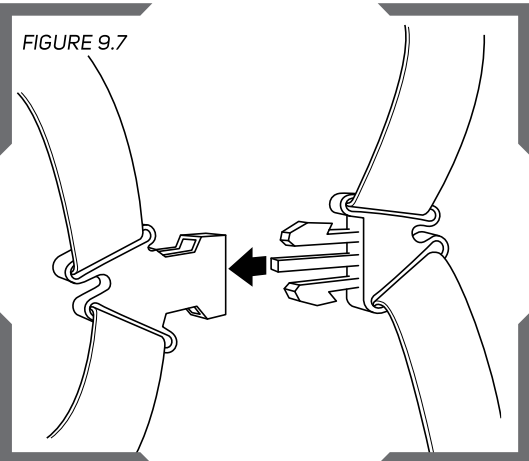


Following the “lock” and “unlock” symbols with the arrow on the belt bracket. Rotate the bracket until the tab clicks over the raised ramp on the back of the PX5®. Check that it is secure.

Attach the backpack in the same way as the belt.

BACKPACK HARNESS ADJUSTMENT

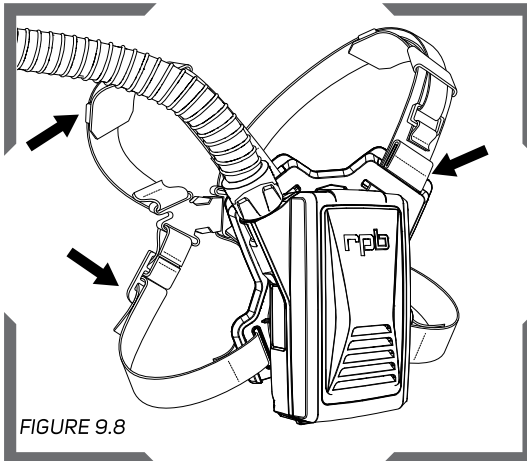
FIGURE 9.7



Put your arms through the straps like a backpack, then clip the chest buckle together.

The Backpack can be worn with the PX5 on the back or on the chest.

FIGURE 9.8



With the backpack harness on, adjust the straps to a comfortable tightness so the PX5 does not move around .

rpb PX5[®] PAPR

RESPIRATOR SETUP AND CARE CONTINUED

FLOW METER USE

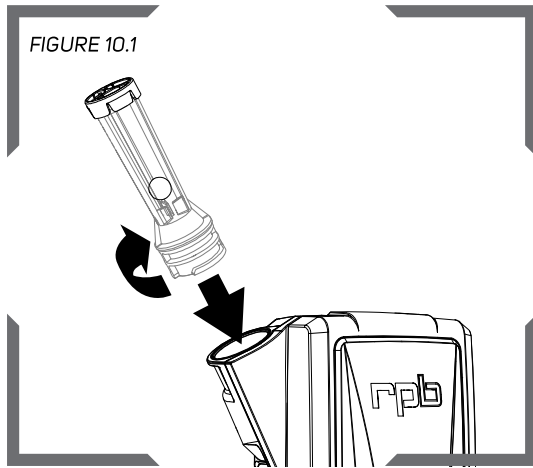


FIGURE 10.1

Insert the flow meter into the air outlet. Line up the bayonet slots and turn clockwise 1/2 turn until it locks into place.

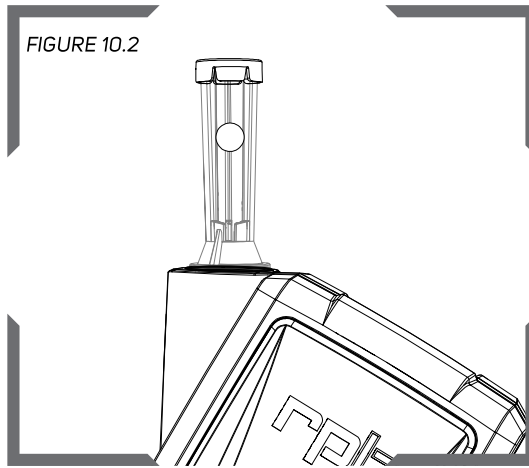


FIGURE 10.2

Turn the PX5[®] unit on and then orientate the unit so the flow meter is pointing straight up or vertical to achieve the most accurate results.

HOW TO READ THE FLOW METER LABEL.

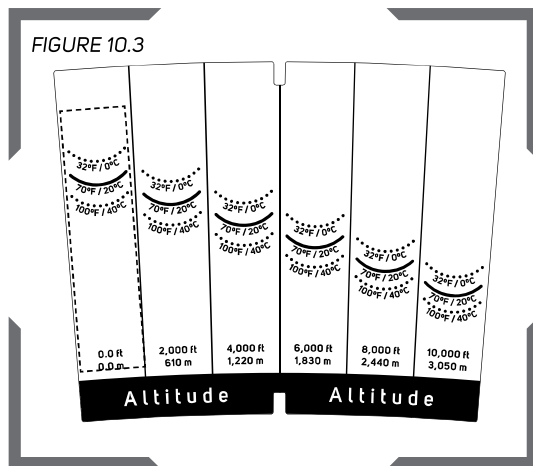


FIGURE 10.3

The flow meter levels are grouped by temperature and altitude. Ex.: dashed box shows levels for different temps at 0ft above sea level. Choose the altitude closest to the altitude where the check is being performed.

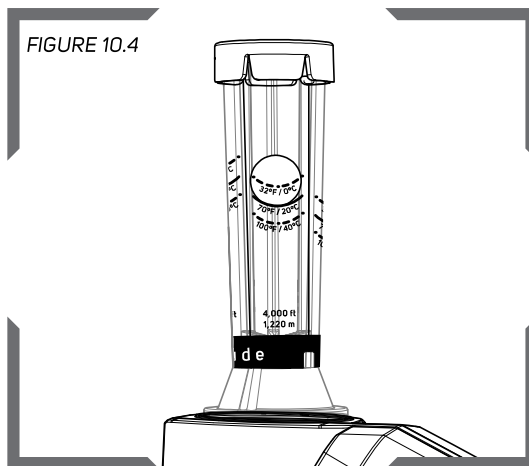


FIGURE 10.4

When the PX5[®] is on speed 1, the ball will float inside the flow meter. Ensure that it sits above the curved line for the altitude and temp for where the check is being performed. Ex: 1,200m above sea level and 20°C.

Flow Meter Detailed instructions

Determine your location's elevation and the current temperature. Note that these parameters must represent the environment where the air flow check is being conducted, not the work environment the unit is to be used in afterwards. If the environment changes after conducting the air flow test, the unit will automatically adapt to any changes in air pressure or temperature.

Refer to an altimeter or lookup table to determine your location's altitude. Refer to a thermometer to find out the current temperature of your environment. Consult your supervisor if you are uncertain about any of these parameters.

Check the green altitude indications to find the value closest to your location's altitude. Check the temperature markings vertically aligned with that altitude indication to find the one closest to the temperature of your environment. This is the minimum flow rate marker to be checked to. Insert the flow meter into the outlet of the PX5® and rotate 1/2 turn to lock in place. Tilt the PX5® so that the flow meter is vertical. Turn on the PX5® leaving it on Speed 1 and let the air stabilize over a 30 second period. With the meter still in the vertical position check that the ball is sitting above the minimum flow rate marker for your altitude and temperature.

Note that the Airflow Meter is labelled with altitude indications in meters as well as in feet. Temperature indications are printed in °F as well as in °C. Make sure to read the Airflow Meter at the proper units.

Do not use the PX5® if the meter does not reach the minimum airflow rate on the flow meter. Low airflow will decrease the level of protection provided.

RESPIRATOR SETUP AND CARE CONTINUED

INSPECTION, CLEANING AND DISINFECTING

Before each use, the unit should be inspected for the following points. This helps to determine that the unit is operating as it was designed and it is suitably protecting the operator:

1. **PX5® PAPR SYSTEM:** Make a visual inspection of the entire unit, which includes the motor housing, filter door and door cover, filter and pre-filters, battery, belt and breathing tube. Also inspect that an approved hood is attached.
2. **BATTERY PACK:** Check that the battery has full charge to confirm that there is sufficient charge for the work period that you need to accomplish. Make sure that the battery door seal is in good condition and the door is securely closed.
3. **BREATHING TUBE:** Inspect the breathing tube completely, looking for splits and cracks in the tube, the fittings are held securely in the tube and that the seal is in place on the bayonet fitting that inserts into the PX5®. Make sure that the breathing tube fits firmly into the PX5® and seals without any leaks around the connection. See Fig 5.3 and 5.4
4. **HE FILTER:** Inspect the filter casing for cracks and distortions that will affect the seal to the PX5® unit. Inspect the filter paper and the seal carefully for any of the following defects; dirt, cuts and tears, distortions or indentations. The seal can be wiped clean with a damp cloth to remove dirt particles. Do not use solvents or detergents. The HE filter paper must not be cleaned or submersed in water at any time. Damage to the HE filter paper will affect its ability to filter the air and could expose users to harmful environments. All damaged filters, pre-filters and spark arresters must be replaced before using the PX5®.
5. **OV/HE COMBINATION FILTER AND MULTI-GAS COMBINATION FILTER:** Do not clean and reuse the 03-893, 03-894, or the 03-895 combination filters. This filter is one-time use only. Dispose of properly according to government regulations depending the contaminants it may have been exposed to.
6. **AIRFLOW METER:** Check the ball in the 03-819 airflow meter is moving freely. Insert the flow meter into the outlet of the PX5® and rotate 1/2 turn to lock in place so that it is sitting vertical. Turn on the PX5® and let the air stabilize over a 30 second period. With the meter still in the vertical position check that the ball is sitting above the minimum flow rate marker for your altitude.

Do not use the PX5® if the meter does not reach the minimum airflow rate on the flow meter. Low airflow will decrease the level of protection provided. See the Flow Meter Usage section for instructions.

7. **ALARM SIMULATION:** Check the operation of the airflow alarm is functioning correctly. Power on the PX5® and wait for 5-10 seconds for it to reach nominal flow. Then place the palm of your hand over the outlet on the PX5®. Continuing to hold your hand tightly over the outlet, with the airflow restricted until the alarm sounds, (audible alarm, vibration, and red LED indicator on the User Interface) after 5-10 seconds, indicating that the airflow is below the minimum airflow. Remove your hand and the alarm and LED should return to normal operation once the airflow is back to safe levels.

8. **CLEANING:** The PX5® unit can be cleaned with a damp cloth and diluted mild, pH neutral detergent or diluted isopropyl alcohol (70% IPA or lower) on the external surfaces and the face of the fan motor housing for dirt and contamination. Do not use organic solvents, abrasive cleaners or high percentage ethanol. If you are unsure about the use of cleaning chemicals on the PX5® unit please contact RPB®. The PX5® should not be submersed in water, cleaning solution or placed in a respirator washer. A cleaning kit that allows the PX5® to be submersed will be released at a later date.
9. **BELT SUPPORT BRACKET OR BACKPACK:** Check the Belt Support and belt for cracks, rips, or tears. If cracks or excessive wear is present, they should be replaced. To replace the Belt Support (O3-811), remove the bracket from the PX5®. Unthread the belt from the Belt Support. Thread in the new belt or backpack straps and reattach to the PX5®.

STORAGE

The PX5® should not be stored with the filter or battery attached if not being used for long periods of time. Store in a clean and dry environment, away from direct heat sources between -10° C and +45° C (14° F and 114° F) , at a relative humidity of less than 90%.

See Table 1.3 and 1.4 for battery storage recommendations.

The battery door should be closed during storage or when the unit is not in use to reduce dust or contaminant ingress.

All filters should be stored in the sealed plastic bag that they came in. Open, unused filters should be stored in an airtight plastic bag or container so that they are not exposed to contamination.

Depending on the contaminants, used filters should be placed in an air tight plastic bag so that contaminants are contained and then be disposed of according to regulations.

PX5® PAPR

PRODUCT SPECIFICATIONS AND DATA TABLE 1.3

AIR FLOW	Speed 1: Greater than 170slpm (6cfm). Speed 2: Greater than 210slpm (7.4cfm) Speed 3: Greater than 240slpm (8.4cfm)
OPERATING TEMPERATURE	-20°C to 50°C (-4°F to 122°F). If the unit is operated outside this temperature range for 10 minutes the battery alarm will activate.
OPERATING NOISE	Speed 1: 57 dBA at 305mm (12") from the unit. Speed 2: 59 dBA at 305mm (12") from the unit. Speed 3: 62 dBA at 305mm (12") from the unit. Note: readings were taken at the distance listed from the front of the unit when connected to a T-Link® Respirator at the 3 speed settings
STORAGE TEMPERATURE	-10° C to 45° C (14° F to 113° F) <90% RH.
PRODUCT STORAGE LIFE (from new if kept in original sealed packaging) A. MOTOR/FAN UNIT B. BATTERY PACK C. FILTERS	A. 5 years B. 1 year C. 5 years
INTRINSIC SAFETY	The PX5® PAPR is NOT classed as an Intrinsically Safe Device.
ASSIGNED PROTECTION FACTOR (APF)	The assigned protection factor is dependent on the type of respirator used with the PX5® PAPR.

03-855 BATTERY SPECIFICATIONS AND DATA TABLE 1.4

OPERATING TEMPERATURE	-4° to 122°F (-20° to 50°C). If the unit is operated outside this temperature range for 10 minutes the battery alarm will activate. If the internal battery temperature reaches 60° C (140° F) the unit will completely shut down.			
BATTERY STORAGE TEMPERATURE	-20° to 50° C (-4° to 122° F) <90% RH for up to 1 month. -20° to 45° C (-4° to 113° F) <90% RH for longer than 1 month.			
BATTERY RUN TIMES	P "HE" Filter	A2P Gas Filter	ABE1P Filter	ABEK1P Filter
SPEED 1	>10 hours	>5 hours	>5 hours	>5 hours
SPEED 2	>7 hours	>4 hours	>4 hours	>4 hours
SPEED 3	>6 hours	>4 hours	>4 hours	>4 hours
	Note that these times are estimated from testing using a new battery and new clean filter at 21°C (70°F). These times could be longer or shorter depending on environments and configurations. Note: you should consult with your transport specialist before transporting Lithium-ion batteries.			
BATTERY CHARGING	5 hours, 300+ cycles with battery life greater than 80% of original			

03-856 BATTERY SPECIFICATIONS AND DATA TABLE 1.5

OPERATING TEMPERATURE	-4° to 140°F (-20° to 60°C). If the unit is operated outside this temperature range for 10 minutes the battery alarm will activate. If the internal battery temperature reaches 70° C (158° F) the unit will completely shut down.			
BATTERY STORAGE TEMPERATURE	Less than 1 month: -4° F to 122° F (-20° to 50° C) <90% RH Less than 3 months: -4° F to 104° F (-20° to 40° C) <85% RH Less than 12 months: -4° F to 68° F (-20° to 20° C) <85% RH			
BATTERY RUN TIMES	P "HE" Filter	A2P Gas Filter	ABE1P Filter	ABEK1P Filter
SPEED 1	>10 hours	>5 hours	>5 hours	>5 hours
SPEED 2	>7 hours	>4 hours	>4 hours	>4 hours
SPEED 3	>6 hours	>4 hours	>4 hours	>4 hours
	Note that these times are estimated from testing using a new battery and new clean filter at 70°F (21°C). These times could be longer or shorter depending on environments and configurations. Note: you should consult with your transport specialist before transporting Lithium-ion batteries.			
BATTERY CHARGING	5 hours, 500+ cycles with battery life greater than 80% of original			

RPB PX5 PAPER

PARTS AND ACCESSORIES

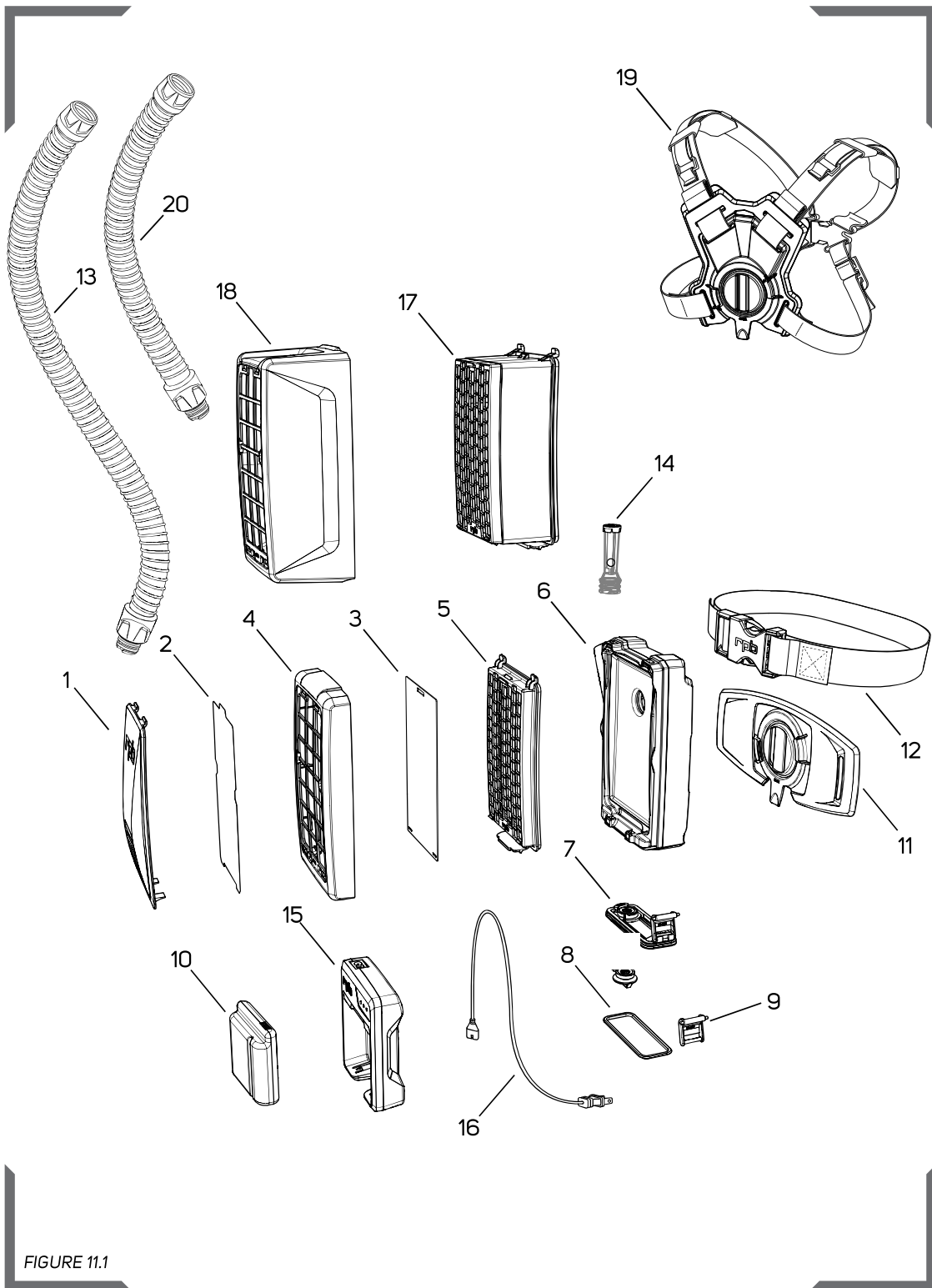


FIGURE 11.1

PARTS LIST

Item Number	Description	Part Number
1	Cowling	03-812
2	Spark Arrestor	03-891
3	Prefilter (Packet of 10)	03-890
4	HE Filter Door	03-813
5	P High Efficiency (HE) Filter	03-892-P
6	Fan Housing	03-810
7	Battery Door Assembly	03-815
8	Battery Door Seal	03-817
9	Battery Door Hinge (Retainer)	03-818
10	Battery	03-855
	Battery - High Capacity	03-856
11	Belt Support	03-811
12	2" Belt Assembly	07-765
	2" Belt Assembly - Fire Retardant	07-765-FR
	2" Belt Assembly - Easy Clean	07-765-DC
13	Breathing Tube	04-831
14	Flow Meter	03-819
15	Battery Charger	03-851
16	Power Cable - USA 2 pin	09-021
	Power Cable - UK 3 pin	09-021-UK
	Power Cable - EU 3 pin	09-021-EU
	Power Cable - AU 2 pin	09-021-AU
17	OV/HE Combination Filter - A2P	03-893-A2
	Multi-Gas Combination Filter - ABE1P	03-894-ABE
	Multi-Gas Combination Filter - ABEK1P	03-895-ABEK
18	OV/HE or MG Combination Filter Cover	03-814
19	PX5 Backpack Assembly - Fire Retardant	03-822-FR
	PX5 Backpack Assembly - Easy Clean	03-822-DC
20	Breathing Tube Assembly - Backpack	04-841



WARNING

Use only exact, authentic RPB® replacement parts (marked with the RPB® logo and part number), and only in the specified configuration. Using incomplete or inappropriate equipment, including the use of counterfeit or non-RPB® parts, can result in inadequate protection and will void the approval of the entire respirator assembly.



LIMITED WARRANTY

RPB® warrants that its Products will be free from defects in materials and workmanship for one (1) year, subject to the terms of this limited warranty. The Products are sold only for commercial use, and no consumer warranties apply to the Products. This limited warranty is for the benefit of the original Product purchaser, and cannot be transferred or assigned. This is the sole and exclusive warranty provided by RPB®, and ALL CONDITIONS AND IMPLIED WARRANTIES (INCLUDING ANY WARRANTY OF MERCHANTABILITY OR FITNESS FOR A PARTICULAR PURPOSE) ARE EXCLUDED AND DISCLAIMED FROM WARRANTY COVERAGE. RPB's® limited warranty coverage does not apply to damage resulting from accident, improper use or misuse of the Products, wear and tear resulting from the normal use of the Products, or the failure to properly maintain the Products.

RPB's® limited warranty coverage runs from the original date of purchase of the Products, and applies only to warranted defects which first manifest themselves and are reported to RPB® within the warranty period. RPB® retains the right to determine to its reasonable satisfaction whether any claimed defect is covered by this limited warranty.

If a warranted defect occurs, RPB® will repair or replace the defective Product (or a component of the Product), in its sole discretion. This "repair or replacement" remedy is the sole and exclusive remedy under this limited warranty, and under no circumstances shall RPB's® liability under this limited warranty exceed the original purchase price for the Products (or the applicable component). RPB® has no responsibility for incidental or consequential damages, including loss of use, maintenance and other costs, and ALL INCIDENTAL AND CONSEQUENTIAL DAMAGES ARE EXCLUDED AND DISCLAIMED from this limited warranty. Contact RPB® to obtain warranty service. Proof of purchase must be provided to obtain warranty service. All costs of returning the Products to RPB® for warranty service must be paid by the purchaser.

RPB® reserves the right to improve its Products through changes in design or materials without being obligated to purchasers of previously manufactured Products.

LIABILITY


RPB® Safety cannot accept any liability of whatsoever nature arising directly or indirectly from the use or misuse of RPB® Safety products, including purposes that the products are not designed for. RPB® Safety is not liable for damage, loss or expense resulting from the failure to give advice or information or the giving of incorrect advice or information, whether or not due to RPB® Safety's negligence or that of its employees, agents or subcontractors.

NEDERLANDS

Raadpleeg de paginanummers van PX5® CE Engels Gebruiksaanwijzing voor afbeeldingen en diagrammen.

UITLEG VAN SIGNAALWOORDEN EN SYMBOLEN

De volgende signaalwoorden en veiligheidssymbolen worden in deze handleiding en op de productetiketten gebruikt:

 **WAARSCHUWING** **WAARSCHUWING** geeft een gevaarlijke situatie aan die, als deze niet wordt vermeden, kan resulteren in overlijden of ernstig letsel.



Lees de Gebruiksaanwijzing.

Extra exemplaren van RPB® handleidingen kunnen gevonden worden op www.rpbsafety.com.

GETEST EN GECERTIFICEERD DOOR:

NB 2797 BSI Group The Netherlands B.V., Say Building, John M. Keynesplein 9, 1066 EP, Amsterdam, NL

PBM VERORDERING:

- De PX5® voldoet aan de PBM Verordening (EU) 2016/425.
- De Conformiteitsverklaring kunt u vinden op rpbsafety.com/resources/
- Zie het gedeelte 'Opslag' voor informatie over de verpakking en de bescherming die nodig is voor transport.

RPB® Safety LLC is een ISO9001 gecertificeerd bedrijf.

INTRODUCTIE

De RPB® PX5® is goedgekeurd als Ventilatoreenheid voor het Motoraangedreven Luchtzuiverende Ademhalingstoestel (PAPR) volgens EN 12941: 1998 + A1: 2003 + A2: 2008, ontworpen om te worden gebruikt in combinatie met de gekeurde RPB® luchtkappen. De RPB® PX5® is geschikt voor verschillende toepassingen waar er een behoefte is aan bescherming tegen verontreinigingen in de lucht zoals lassen, slijpen, schilderen en andere bouw- en industriële toepassingen, evenals de farmaceutische industrie. De PX5® is getest tot IP 65 voor het binnendringen van water en stof tijdens gebruik.

Dit product moet te allen tijde worden geïnspecteerd en onderhouden in overeenstemming met deze gebruiksaanwijzing.

Zie BESCHERMING EN BEPERKINGEN (pagina 36) voor meer informatie.



RPB® SAFETY - GLOBAL HEADQUARTERS

2807 Samoset Rd, Royal Oak, MI 48073, USA

T: 1-866-494-4599 F: 1-866-494-4509 E: sales@rpb-safety.com **rpb-safety.com**

RPB® SAFETY - APAC

3 Robin Mann Place, Christchurch Airport, Christchurch 8053, New Zealand

T: +64-3-357-1761 F: +64-3-357-1763 E: sales@rpb-safety.com **rpb-safety.com**

RPB® SAFETY - EMEA

4QW2+MW Evergem, Belgium

T: +44-800-689-5031 E: sales@rpb-safety.co.uk **rpb-safety.com**

Copyright ©2020 RPB Safety, LLC. Alle rechten voorbehouden. Alle inhoud op deze website is beschermd door de Amerikaanse auteursrechtwetgeving en mag niet worden gereproduceerd, gedistribueerd, overgedragen, weergegeven, gepubliceerd of uitgezonden zonder de voorafgaande schriftelijke toestemming van RPB Safety, LLC. U mag geen handelsmerk, auteursrecht of andere kennisgeving van kopieën van de inhoud wijzigen of verwijderen.

Alle handelsmerken, servicemerken en logo's die in deze publicatie worden gebruikt, zowel geregistreerd als niet-geregistreerd, zijn de handelsmerken, servicemerken of logo's van hun respectieve eigenaars. Alle rechten op het intellectuele eigendom van RPB in deze publicatie, inclusief auteursrecht, handelsmerken, dienstmerken, bedrijfsgeheimen en octrooirechten, zijn voorbehouden. RPB Intellectueel Eigendom omvat elk octrooi, gepatenteerde artikelen, octrooiaanvragen, ontwerpen, industriële ontwerpen, auteursrechten, software, broncode, databaserechten, morele rechten, uitvindingen, technieken, technische gegevens, handelsgeheimen, knowhow, merken, handelsmerken, handelsnamen, slogans, logo's en ander gemeen recht en eigendomsrechten, al dan niet geregistreerd, die in het bezit zijn van, geheel of gedeeltelijk zijn ontwikkeld door of in licentie zijn gegeven door RPB Safety, LLC.

Neem voor technische ondersteuning contact op met onze Klantenservice: 1-866-494-4599 of e-mail: sales@rpb-safety.com

Formulier #: 7.20.569

Herziening: 1

BELANGRIJKE VEILIGHEIDSINFORMATIE



WAARSCHUWING

Onjuiste selectie, pasvorm, gebruik of onderhoud van dit product kan tot letsel leiden; levensbedreigende vertraagde long-, huid- of oogziekte; of de dood. Dit product is bedoeld voor beroepsmatig gebruik in overeenstemming met de geldende normen of voorschriften voor uw locatie, branche en werkzaamheid (zie Verantwoordelijkheden van de Werkgever, pagina 41). Bekendheid met normen en voorschriften met betrekking tot het gebruik van deze beschermende uitrusting wordt aanbevolen, ook als deze niet rechtstreeks op u van toepassing zijn. Raadpleeg de Verantwoordelijkheden van de Werkgever en de Veiligheidsinstructies voor de Gebruiker indien u als zelfstandige werkt of indien u deze producten gebruikt in een niet-beroepsmatige omgeving.

Ga naar rpbsafety.com/important-safety-information voor nuttige links naar CE- normen en andere inhoud.

Werkgevers: Lees deze handleiding en de Gebruiksaanwijzing van het Ademluchttoestel en voer de Verantwoordelijkheden van de Werkgever uit (pagina 41).

Productgebruikers: Lees deze handleiding en de Gebruiksaanwijzing van het Ademluchttoestel en volg de Veiligheidsinstructies voor de Gebruiker op (pagina 43).

Zie de website voor updates. Handleidingen worden regelmatig bijgewerkt.

Ga naar rpbsafety.com/resources voor de meest recente versie van deze handleiding voordat u het product gebruikt.

BESCHERMING EN BEPERKINGEN

ADEMHALING

De RPB® PX5® is gekeurd in de volgende categorie:

Motoraangedreven Lucht

De RPB® PX5® PAPR, indien correct gemonteerd en gebruikt met alle benodigde onderdelen, inclusief de Ademhalings slang en de gekeurde luchtkap, is onderdeel van een gekeurd Motoraangedreven Luchtzuiverend Ademhalingsstoestel. Als zodanig vermindert deze significant de hoeveelheid vervuiling die door de gebruiker wordt ingeademd, al wordt het inademen hiervan niet volledig geëlimineerd. Raadpleeg de gebruiksaanwijzing en het keurmerk voor de geselecteerde luchtkap voor de keuring met de PX5® en de toegekende protectie factor. Specifieke bescherming is afhankelijk van de filter die is geselecteerd voor gebruik in de RPB® PX5® PAPR. Deze is gekeurd voor gebruik met de 03-892 Hoog Rendement (HR) -Filter, het 03-893 Organische Dampen/Hoog Rendement (OD/HR) -Patroon en het 03-894 of de 03-895 Meervoudige Gasfilter patroon.

MARKERINGEN OP DE UITRUSTING

De RPB® PX5® en de filters zijn gemarkeerd in overeenstemming met EN 12941: 1998 + A1: 2003 + A2: 2008 TH3/2/1. Zie tabel 1.1 voor classificaties.

TH1, TH2 en TH3 - Geven de klassering voor een compleet toestel aan.

P-, R- en SL-herbruikbare Deeltjesfilter tegen vloeibare en vaste deeltjes.

- 03-892 P R SL HR Filter klassering.
- 03-893 A2P R SL Gasfilter Klassering
- 03-894 ABE1P R SL Meervoudige Gasfilter Klassering
- 03-895 ABEK1P R SL Meervoudige Gasfilter Klassering

Let op:

- "A" geeft aan dat de filter bescherming biedt tegen organische dampen, volgens de norm. Het nummer dat op de letter volgt geeft de filtercapaciteit aan. Kleurcode bruin.

BESCHERMING EN BEPERKINGEN VERVOLGD

- "B" geeft aan dat de filter bescherming biedt tegen bepaalde anorganische gassen en dampen (exclusief CO) volgens de norm. Kleurcode grijs.
- "E" geeft aan dat de filter volgens de norm bescherming biedt tegen zwaveldioxide en andere zure gassen en dampen. Kleurcode Geel.
- "K" geeft aan dat de filter volgens de norm bescherming biedt tegen ammoniak en organische ammoniakderivaten. Kleurcode groen.
- Het cijfer achter de letter geeft de filtercapaciteit aan.

Markeringen op de filter voor andere normen moeten niet worden verward met de EN 12941 standaard-markeringen. Elk filterpatroon heeft een label waarop de datum en tijd genoteerd kan worden waarop de nieuwe cartridge is geïnstalleerd. Met een pen of een permanente marker, noteer de datum en tijd waarop de nieuwe cartridge in de PX5[®] PAPR is geïnstalleerd.

MARKERINGEN EN SYMBOLEN OP DE UITRUSTING



- Lees vóór gebruik alle instructies.

Li-Ion

- Lithium-ion batterijen.



- Batterijen horen bij het elektronisch afval.



- Recycle



- RoHS-conformiteit

WAARSCHUWING

De RPB[®] PX5[®] PAPR is **NIET VOOR GEBRUIK** geschikt als:

- De atmosfeer onmiddellijk gevaar levert voor leven of gezondheid.
- De drager niet kan ontsnappen zonder hulp van het ademhalingstoestel.
- Het percentage zuurstof in de omgeving lager ligt dan 21% ±1%.
- Bij straalwerkzaamheden.
- Bescherming tegen gevaarlijke gassen (bijv. koolmonoxide).
- Het verontreinigingsniveau hoger ligt dan de voorschriften of aanbevelingen.
- Het soort verontreiniging of de concentratie van verontreiniging onbekend is.
- De werkplaats slecht geventileerd is.
- De temperatuur buiten het bereik van -20°C tot 50°C (-4°F tot 122°F) valt. Als de interne batterijtemperatuur 60°C (140°F) bereikt, schakelt het apparaat zichzelf volledig uit.
- Er een ontvlambare of explosieve atmosfeer aanwezig is. Dit systeem bevat elektrische onderdelen die niet geschikt zijn voor gebruik in dergelijke omgevingen. De PX5[®] is niet intrinsiek veilig.

APPARAATCLASSIFICATIE EN PROTECTIE FACTOR TABEL 1.1

EUROPESE APPARAAT-CLASSIFICATIE EN 12941	TOESTEL MODEL	NOMINALE PROTECTIE FACTOR	DEELTJES FILTER 03-892	GECOMBINEERDE DEELTJES EN OD/AG FILTER 03-893 of MG FILTER 03-894 of 03-895
TH2	Z-LINK® Schouder-Cape	500	✓	✓
TH2	Z-LINK® Gelaatsafdichting	500	✓	✓
TH1	Z-LINK® Kinafdichting	50	✓	✓
TH3	T-LINK®	500	✓	✓
TH2	Z4® Schouder-Cape	50	✓	✓
TH2	Z4® Gelaatsafdichting	50	✓	✓
TH3	T200™	50	✓	✓

Let op: de norm EN 12941: 1998 + A1: 2003 + A2: 2008 is een vereiste voor ademhalingsstoestellen met losse passing, zoals kappen en gelaatsschermen.

LUCHTBRON

Motoraangedreven Lucht

Controleer of het verontreinigde gebied binnen de gebruikslimieten voor een Motoraangedreven Luchtzuiverend Ademhalingsstoestel ligt en bepaal het soort verontreiniging. Nadat het verontreinigingsniveau is bevestigd, kunt u vervolgens het filterpatroon kiezen dat voor de toepassing moet worden gebruikt, om voor voldoende bescherming te zorgen. Zorg ervoor dat het gebied goed geventileerd is en dat er regelmatig luchtmonsters worden genomen om te bevestigen dat de atmosfeer binnen de niveaus blijft die worden aanbevolen door de lokale overheidsvoorschriften en andere bestuursorganen. Gebruik deze gegevens om het vervangingsschema voor het filter of de patroon te bepalen.

VERANTWOORDELIJKHEDEN VAN DE WERKGEVER

Uw specifieke verantwoordelijkheden kunnen verschillen per locatie en branche, maar over het algemeen verwacht RPB® dat werkgevers:

- **Alle geldende normen en voorschriften voor uw locatie, branche en werkzaamheid opvolgen.** Afhankelijk van uw locatie en branche, kunnen een aantal normen en voorschriften van toepassing zijn op uw selectie en gebruik van ademhalingsstoestellen en andere persoonlijke beschermende uitrusting. Deze kunnen bijvoorbeeld nationale, lokale of militaire normen en voorschriften en standaarden zoals CE en AS/NZS omvatten. Er zijn ook vereisten

VERANTWOORDELIJKHEDEN VAN DE WERKGEVER VERVOLGD

specifiek voor bepaalde verontreinigingen, b.v. silica (zie rpbsafety.com/important-safety-information/ voor meer informatie), asbest, organische ziekteverwekkers, enz. Weet welke eisen van toepassing zijn op uw locatie en branche.

■ **Zorg voor geschikte veiligheidsprogramma's.**

Heb en volg:

- Een veiligheidsprogramma voor de werkplek.
- Een geschreven programma voor ademhalingsbescherming in overeenstemming met de van toepassing zijnde normen en voorschriften.

■ **In overeenstemming met bovenstaande,**

Voer een gevarenanalyse uit en selecteer gepaste uitrusting voor elke werkzaamheid.

Een bevoegd persoon moet een gevarenanalyse uitvoeren. Er moeten waar nodig controles plaatsvinden en een gekwalificeerd persoon moet bepalen welk soort ademhalings, gezichts-, oog-, hoofd- en gehoorbescherming geschikt zijn voor de beoogde werkzaamheden en gebruiksomstandigheden. (Kies bijvoorbeeld een ademhalingstoestel dat geschikt is voor de specifieke luchtverontreinigingen, rekening houdend met de werkplek en de gebruiker en met een Toegekende Protectie Factor (TPF) die aan de vereiste norm voor werknemersbescherming voldoet of dit overtreft, selecteer gezichts- en oogbescherming voor lassen passend bij het type laswerk, enz.)

Indien van toepassing, controleer uw veiligheidsprogramma op de werkplek, het programma voor ademhalingsbescherming en de normen en voorschriften voor uw werkzaamheid of branche voor gerelateerde beschermingsvereisten en raadpleeg deze handleiding (Bescherming en Beperkingen, pagina 36) en de Gebruiksaanwijzing van de Luchtkap voor productspecificaties.

Zorg ervoor dat werknemers medisch gekwalificeerd zijn om een ademhalingstoestel te gebruiken.

Laat een gekwalificeerde arts of andere bevoegde zorgverlener medische evaluaties uitvoeren met behulp van een medische vragenlijst of een standaard medisch onderzoek.

Train medewerkers in het gebruik, onderhoud en de beperkingen van de PX5®.

Benoem een gekwalificeerd persoon met voldoende kennis over de RPB® PX5® om training te geven:

Kwalificaties van de Ademhalingstoestel-Trainer. Iedereen die training voor het ademhalingstoestel geeft, moet:

- a) goed geïnformeerd zijn over de toepassing en het gebruik van de ademhalingstoestellen;
- b) praktische kennis toepassen bij de selectie en het gebruik van ademhalingstoestellen en werkmethoden op de werkplek;
- c) inzicht hebben in het programma voor ademhalingstoestellen van de werkplek; en
- d) kennis hebben van geldende regels.

Train elke PX5®-gebruiker voor het gebruik, de toepassing, de inspectie, het onderhoud, de opslag, de pasvorm en de beperkingen van het product in overeenstemming met de inhoud

van deze Gebruiksaanwijzing en de handleiding van de gekeurde luchtkap en de standaard- of regelgevingsvereisten. Zorg ervoor dat iedere beoogde gebruiker beide handleidingen leest.

Zorg ervoor dat de uitrusting correct is gemonteerd, gebruikt en onderhouden.

Zorg ervoor dat de uitrusting correct is gemonteerd, geïnspecteerd, gepast, gebruikt en onderhouden, inclusief selectie van het juiste luchtfilterpatroon voor de toepassing.

Meet en controleer de luchtverontreiniging op de werkplaats.

Meet en controleer de niveaus van luchtverontreiniging op de werkplaats in overeenstemming met de geldende voorschriften. Zorg ervoor dat de werkplaats goed geventileerd is.

■ Blootstellingslimieten voor mengsels:

De Health and Safety Executive-norm EH40/2005 uit het VK geeft een overzicht van de blootstellingslimieten voor werk in het VK. In Europa zijn indicatieve grenswaarden voor beroepsmatige blootstelling vermeld in Richtlijn 2017/164/EU. Raadpleeg de afdeling arbeidsveiligheid van uw land voor blootstellingslimieten en aanbevelingen voor monitoring waar het werk wordt uitgevoerd.

■ Neem voor vragen contact op met RPB®.

- Bel de klantenservice:
Tel: 1-866-494-4599 or
Email: sales@rpbsafety.com
Web: rpbsafety.com

VEILIGHEIDSINSTRUCTIES VOOR DE GEBRUIKER

VÓÓR HET EERSTE GEBRUIK - TRAINING EN MEDISCHE KWALIFICATIE

Gebruik dit apparaat niet totdat u deze handleiding en de Gebruiksaanwijzing van de luchtkap heeft gelezen (extra exemplaren beschikbaar op www.rpbsafety.com) en getraind bent in het gebruik, het onderhoud en de beperkingen van het ademhalingsstoestel door een gekwalificeerd persoon (benoemd door uw werkgever) die kennis heeft van het RPB® PX5® PAPR Ademhalingsstoestel.

Draag dit ademhalingsstoestel pas als u bent geslaagd voor een medische evaluatie met een medische vragenlijst of een eerste medisch onderzoek door een gekwalificeerde arts of een andere bevoegde zorgverlener.

Allergenen: Er zijn in dit product geen bekende of veel voorkomende allergenen gebruikt.

Sommige materialen kunnen een allergische reactie veroorzaken bij personen die daarvoor gevoelig zijn. Als u allergisch bent of een irritatie ontwikkelt, licht dan uw werkgever in. Irritatie kan optreden als gevolg van een gebrek aan reiniging. Volg alle reinigings- en onderhoudsinstructies in de handleidingen voor dit en alle andere RPB®-producten die u gebruikt.

CONTROLEER OF HET SYSTEEM GEBRUIKSKLAAR IS

VEILIGHEIDSINSTRUCTIES VOOR DE GEBRUIKER VERVOLGD

Zorg dat u een compleet systeem heeft. De PX5® is slechts één onderdeel van een gekeurd ademhalingsstelsel. Controleer of u alle benodigde onderdelen heeft zodat de PX5® functioneert als een volledig en gekeurd ademhalingsstelsel:

- Luchtkap gekeurd met de PX5®
- Ademhalings slang
- PX5® PAPR

Zie het Diagram van Ademhalingsonderdelen (pagina 44). Raadpleeg de gebruiksaanwijzing en het keurmerk voor de geselecteerde luchtkap voor keuring met de PX5® en de toegekende protectie factor. Gebruik alleen authentieke RPB®-merkonderdelen en -componenten die deel uitmaken van het gekeurde ademhalingsstelsel. Het gebruik van onvolledige of ongeschikte onderdelen, waaronder het gebruik van nagemaakte of niet-RPB®-onderdelen, kan leiden tot onvoldoende bescherming en maakt de keuring van het volledige ademhalingsstelsel nietig. Pas geen enkel deel van dit product aan, en verander niets.

Inspecteer alle componenten dagelijks op tekenen van beschadiging of slijtage die het beschermingsniveau dat oorspronkelijk werd geleverd kunnen verminderen, zie Inspectie en Reiniging (p. 56). Verwijder elk beschadigd onderdeel of product voor service, reparatie of vervanging, inclusief elke riem, ademhalings slang of voorkant van de behuizing van de PAPR. Beschadigde onderdelen moeten worden vervangen door originele RPB®-vervangingsonderdelen. Vervang de HR-filter als deze zichtbaar vies is, het filtermedium is beschadigd of de luchttoevoer is verminderd. OD/HR-filters en Meervoudige Gasfilters moeten mogelijk na elk gebruik worden vervangen, afhankelijk van de verontreiniging die wordt gefilterd. Inspecteer de voorfilter en de vonkenvanger op beschadiging of verstopping. Inspecteer de binnenkant van het ademhalingsstelsel op respirabel stof of andere vreemde voorwerpen. Houd de binnenkant van het ademhalingsstelsel altijd schoon.

Zorg ervoor dat de PAPR correct is gemonteerd in de configuratie die bij uw toepassing past.

Gebruik het ademhalingsstelsel nooit zonder een HR- of OD/HR-filter of een Meervoudige Gasfilter, afhankelijk van de toepassing. Het is aanbevolen om altijd een voorfilter te gebruiken. Gebruik voor toepassingen die vonken of hoge temperaturen produceren het FR-model (brandvertragend) van de PX5® met de FR-riem en vonkenvanger. De PX5® moet altijd worden gebruikt met de juiste filter(s), de voorkant van de behuizing en de behuizing van de voorfilter om een compleet systeem te vormen, tenzij anders aangegeven. Een onvolledig systeem kan ontoereikende ademhalingsbescherming bieden. *Raadpleeg Montage en Onderhoud van het Ademhalingsstelsel (pagina 47).*

CONTROLEER OF DE UITRUSTING GESCHIKT IS VOOR UW WERKZAAMHEID

Controleer of de PX5® de juiste bescherming biedt voor uw werkzaamheid. Controleer, indien van toepassing, uw veiligheidsprogramma op de werkplek, programma voor ademhalingsbescherming en de normen en voorschriften voor uw werkzaamheid of branche. (Zie BESCHERMING EN BEPERKINGEN, pagina 39.)

ALVORENS DE PX5® AAN TE TREKKEN:

Controleer of verontreinigingen in de lucht binnen de aanbevolen limieten voor gebruik van ademhalingstoestellen vallen:

- Bepaal het soort en niveau van vervuiling. Controleer of de concentraties van verontreinigingen in de lucht niet groter zijn dan toegestaan door de geldende voorschriften en aanbevelingen voor ademhalingstoestellen met ademplucht.

Selecteer de juiste filterpatroon voor de verontreiniging en voor de toepassing:

- **PAPR:** Nadat het verontreinigingsniveau is bevestigd, bepaalt u het juiste filterpatroon voor de toepassing, om te zorgen dat u voldoende beschermd bent.

Zorg dat het gebied geventileerd en gecontroleerd wordt:

- Zorg ervoor dat het gebied goed geventileerd is en dat er regelmatig luchtmonsters genomen worden om te bevestigen dat de atmosfeer binnen de niveaus die door bestuursorganen worden aanbevolen blijft.

Als u vragen heeft, stel deze aan uw werkgever.

BETREED DE WERKPLEK NIET als één van de volgende omstandigheden zich voordoet:

- De atmosfeer levert direct gevaar voor het leven of de gezondheid.
- De drager kan niet ontsnappen zonder hulp van het ademhalingstoestel.
- Het percentage zuurstof in de omgeving ligt lager dan 21% ±1%.
- In een ontvlambare of explosieve atmosfeer. Dit systeem bevat elektrische onderdelen die niet geschikt zijn voor gebruik in dergelijke omgevingen. De PX5® is niet intrinsiek veilig.
- Het verontreinigingsniveau ligt hoger dan de voorschriften of aanbevelingen.
- Het soort verontreiniging of de concentratie van verontreiniging is onbekend.
- De werkplaats is slecht geventileerd.
- De werkplaats een besloten ruimte is (tenzij de juiste maatregelen worden genomen voor besloten ruimtes).
- De temperatuur valt buiten het bereik van -20°C tot 50°C (-4°F tot 122°F).

VERLAAT DE WERKPLAATS ONMIDDELIJK INDIEN:

- Een component van het product beschadigd raakt.
- Het gezichtsvermogen is aangetast.
- Luchttoevoer stopt of vertraagt, of het alarm af gaat. Gebruik Motoraangedreven Luchtzuiverende Ademhalingstoestellen niet als de luchtstroom minder is dan 170 slpm (6 cfm).
- Ademen moeilijk wordt.
- U duizelig, misselijk, te heet, te koud of ziek bent.
- Uw ogen, neus of huid geïrriteerd raken.
- U verontreinigingen in de kap proeft, ruikt of ziet.
- U een andere reden heeft om te vermoeden dat het ademhalingstoestel niet voldoende bescherming biedt.

VEILIGHEIDSINSTRUCTIES VOOR DE GEBRUIKER VERVOLGD



WAARSCHUWING

Houd bij het verlaten van het werkgebied het masker ingeschakeld, het filter geïnstalleerd en de beademings slang aangesloten terwijl u het werkgebied verlaat. Het dragen van het masker terwijl het is uitgeschakeld, wordt als een abnormale situatie beschouwd. Wanneer het toestel wordt uitgeschakeld, is weinig of geen ademhalingsbescherming te verwachten. Wanneer het apparaat wordt uitgeschakeld, kan een snelle ophoping van koolstofdioxide en een tekort aan zuurstof in de helm of luchtkap ontstaan. Als dit gebeurt, moet u mogelijk het masker verwijderen als u weggaat. (Dit gasmasker mag niet worden gebruikt in een atmosfeer die onmiddellijk gevaarlijk is voor het leven of de gezondheid.)

ONDERHOUD

Plaats de PX5® nooit op hete oppervlakken. Breng geen verf, oplosmiddelen, kleefstoffen of zelfklevende etiketten aan, tenzij aan de hand van instructies van RPB®. Bepaalde chemicaliën kunnen schadelijk zijn voor dit product.

Zie het gedeelte "Inspectie en Reiniging" voor specifieke reinigingsinstructies.

INSTRUCTIES VOOR SPECIFIEKE TOEPASSINGEN OF OMGEVINGEN

Lassen en Slijpen

Voor lassen, slijpen en andere toepassingen die vonken of hoge hitte produceren, moet u het FR (Brandvertragende) specifieke model van de PX5® gebruiken met de FR-riem en de vonkenvanger op zijn plaats, zie "Montage en Onderhoud van het Ademhalingstoestel" (pagina 47).

Besloten Ruimten

Indien dit ademhalingstoestel wordt gebruikt in besloten ruimten, zorg ervoor dat de ruimte goed geventileerd is en dat alle concentraties van verontreinigingen lager liggen dan de aanbevolen concentraties voor dit toestel. Volg alle procedures voor het betreden, bedienen en verlaten van besloten ruimten zoals gedefinieerd in geldende voorschriften en normen.

Lassen in Besloten Ruimten

Lassen in een besloten ruimte kan een atmosferisch gevaar opleveren vanwege het ontstaan van verontreinigingen en de verplaatsing van zuurstof. Een ademhalingstoestel met zuurstofregeling volgens behoefte (OWPA) of een multifunctioneel ademhalingstoestel met zuurstofregeling volgens behoefte en onafhankelijke luchttoevoer moet worden gebruikt tijdens het lassen in besloten ruimten wanneer tijdens het lassen het zuurstofniveau in de omgeving kan dalen en aanvullende ventilatie en atmosferische metingen niet zijn voorzien. Raadpleeg plaatselijke voorschriften en normen voor meer informatie over de types ademhalingstoestellen.

Omgevingen met Organische Dampen of Zure Gassen

Gebruik het OD/HR-combinatiefilter, onderdeel# 03-893, of de Meervoudige Gasfilter, onderdeel# 03-894 of 03-895.

DIAGRAM VAN ADEMHALINGSCOMPONENTEN

De RPB® PX5® is één van de 3 hoofdcomponenten die een ademhalingstoestel vormen. (let op; de T-Link® is in het onderstaande diagram als voorbeeld gebruikt)

AFBEELDING 1.1 OP PAGINA 6

1. Kap van het ademhalingstoestel
2. Ademhalings slang
3. Luchttoevoer PX5®

VOORZORGSMAATREGELEN EN BEPERKINGEN

Motoraangedreven Lucht

- A. Niet voor gebruik als de omgeving minder dan 21% ±1% zuurstof bevat.
- B. Niet voor gebruik in atmosferen die onmiddellijk gevaar leveren voor het leven of de gezondheid.
- C. Overschrijd geen maximumconcentraties die zijn vastgesteld door wettelijke normen.
- F. Gebruik geen Motoraangedreven Luchtzuiverend Ademhalingstoestel als de luchttoevoer lager is dan 115 lpm voor nauwsluitende gezichtsmaskers of 170 lpm (6 cfm) voor kappen en/of helmen.
- H. Volg vastgelegde patroon en huls-vervangingschema's om ervoor te zorgen dat patroon en hulzen worden vervangen voordat er doorslag plaatsvindt.
- I. Bevat elektrische onderdelen die een vonk kunnen creëren in een ontvlambare of explosieve omgeving.
- J. Als dit product niet op de juiste manier wordt gebruikt en onderhouden, kan dit letsel of de dood tot gevolg hebben.
- L. Volg de instructies van de fabrikant voor het vervangen van patronen, hulzen en/of filters.
- M. Alle goedgekeurde ademhalingstoestellen moeten worden geselecteerd, gepast, gebruikt en onderhouden in overeenstemming met de geldende voorschriften.
- N. Vervang nooit onderdelen, pas ze niet aan en laat ze niet weg. Gebruik alleen exacte vervangende onderdelen die door de fabrikant zijn aangegeven.
- O. Raadpleeg de gebruiksaanwijzing en/of onderhoudshandleidingen voor informatie over gebruik en onderhoud van deze ademhalingstoestellen.
- P. Dit ademhalingstoestel is niet geëvalueerd voor gebruik als een chirurgisch masker.

ADEMHALINGSTOESTEL - MONTAGE EN ONDERHOUD

BATTERIJ



WAARSCHUWING

Volg deze voorzorgsmaatregelen en procedures om het risico op batterij brand, ontploffing, brand of een elektrische schok met de oplader te verminderen:

Voor het opladen

- Laat de batterij afkoelen voor het opladen als deze warm aanvoelt.
- Inspecteer de batterij iedere keer vóórdat deze wordt opgeladen. Als er barsten of schade zijn, laad de batterij dan niet op.

ADEMHALINGSTOESTEL - MONTAGE EN ONDERHOUD VERVOLGD

- Inspecteer vóór gebruik de oplader en voedingskabels. Als er onderdelen beschadigd zijn, vervang deze. Wijzig geen onderdelen, pas ze niet aan en voeg niets aan de opladers toe. Probeer niet om de opladers onderhoud te geven. Er zijn geen onderdelen die door de gebruiker gerepareerd kunnen worden.
- Gebruik alleen de meegeleverde oplader en snoer.

Waar op te laden

Alleen opladen:

- binnenshuis,
- in een droge omgeving,
- uit de buurt van warmtebronnen,
- uit de buurt van alles dat kan branden wanneer blootgesteld aan hitte of vuur,
- in een goed geventileerde ruimte,
- op een plek waar de lader kan worden gezien en gemakkelijk geobserveerd kan worden tijdens het opladen.

Om batterijladers op een DIN-rail te monteren, koop de gewenste lengte bij een elektriciteitswinkel "Top Hat Rail IEC/EN 60715" 35 mm hoog. De rail kan 7,5 of 15 mm diep zijn. *Zie het gedeelte 'Batterijlader op een muur plaatsen' voor meer instructies.*

Onderhoud van de batterij - 03-855

- Gebruik de batterij niet buiten de aanbevolen temperatuurgrenzen -20°C tot 50°C (-4°F tot 122°F).
- Laad de batterij niet op buiten de aanbevolen temperatuurgrenzen van 0°C tot 45°C (32°F tot 113°F).
- Berg de batterij niet op buiten de aanbevolen temperatuurgrenzen -20°C tot 40°C (-4°F tot 104°F).

Onderhoud van de batterij - 03-856

- Gebruik de batterij niet buiten de aanbevolen temperatuurgrenzen -20° C tot 60° C (-4° F tot 140° F)
- Laad de batterij niet op buiten de aanbevolen temperatuurgrenzen van 0° C tot 45° C (32° F tot 113° F).
- Berg de batterij niet op buiten de aanbevolen temperatuurgrenzen
Minder dan 1 maand: -20° C tot 50° C (-4° F tot 122° F) <90% RH
Minder dan 3 maanden: -20° C tot 40° C (-4° F tot 104° F) <85% RH
Minder dan 12 maanden: -20° C tot 20° C (-4° F tot 68° F) <85% RH

Niet uit elkaar halen. Niet onderdompelen in water of andere vloeistoffen.

De batterij kan kortsluiten als de contacten per ongeluk worden verbonden door een ander metaal dan de PX5® of de oplader. Plaats de batterij op het laadstation om de batterij te resetten. De batterij kan nu opnieuw gebruikt worden. Hoewel er maatregelen zijn genomen om de batterij te beschermen, kan er nog steeds schade optreden, dus voorkom kortsluiting door het verbinden van de contacten.

Lange termijn opslag

Laad de batterij op totdat slechts 20 LED's gedurende ongeveer 20 minuten op de lader worden weergegeven voordat u deze opbergt. Plaats vervolgens elke 3 maanden 1½ uur op de lader.

Afval

Gooi batterijen weg volgens de plaatselijke voorschriften. Niet verpletteren, uit elkaar halen, in het standaard afval doen, zelf verbranden of voor verbranding afvoeren. Als batterijen niet adequaat worden verwijderd, kan dit leiden tot milieuvervuiling, brand of explosie.

OPLADEN VAN DE BATTERIJ

AFBEELDING 2.1 OP PAGINA 14

Sluit de voeding aan op het laadstation. Sluit het andere uiteinde van de voeding aan op het Spanningsnet (110 - 240v).

AFBEELDING 2.2 OP PAGINA 14

Plaats de batterij in het laadstation door eerst de bovenkant van de batterij in de behuizing van de oplader te plaatsen en de rest van de batterij vervolgens op zijn plaats te klikken.

AFBEELDING 2.3 OP PAGINA 15

Zie de indicatielampjes in de rechterbovenhoek van het laadstation voor de status van het laadproces. 1 knipperende LED = bijna leeg, 2 knipperende LED's = half opgeladen, 3 knipperende LED's = bijna opgeladen, 3 continu brandende LED's = volledig opgeladen, ca. 95-100% opgeladen.

AFBEELDING 2.4 OP PAGINA 15

Om de batterij van het laadstation te verwijderen: Houd de lader stevig vast als deze nergens aan bevestigd is, trek eerst het lipje aan de onderkant van de batterij omhoog en haal vervolgens rest van de batterij uit de lader.

BATTERIJLADER OP EEN MUUR PLAATSEN

AFBEELDING 2.5 OP PAGINA 15

Gebruik de gewenste lengte DIN-rail,

afhankelijk van het aantal laders dat u erop wilt monteren. Schroef de DIN-rail vast op de plaats waar u wilt opladen. Zorg ervoor dat u de aanbevelingen op pagina 13 volgt bij het kiezen van de locatie van deze rail.

AFBEELDING 2.6 OP PAGINA 15

Haak de kleine lipjes aan de achterkant van de lader over de bovenste rand van de DIN-rail (1). Klik vervolgens de onderkant van de lader over de onderste rand van de DIN-rail (2). De onderste clip hoort weer in zijn originele stand te staan om goed vast te zitten. Trek voorzichtig aan de lader om dit te testen.

MEERDERE LADERS OP EEN DIN-RAIL

AFBEELDING 2.7 OP PAGINA 16

Indien nodig, kunnen meerdere laders op de DIN-rail worden gemonteerd zoals aangegeven in figuur 2.6.

LADER VAN DIN-RAIL VERWIJDEREN

AFBEELDING 2.8 OP PAGINA 16

Verwijder de lader van de DIN-rail met een platte schroevendraaier. Beweeg het lipje in de uitsparing van de lader naar beneden om de clip los te maken van de DIN-rail. Trek eerst de onderkant van de lader van de DIN-rail en til dan de rest van de lader eraf.

DE BATTERIJ PLAATSEN

AFBEELDING 2.9 OP PAGINA 16

Om de batterij in de PX5® te plaatsen, open de klep van het batterijvakje aan de

ADEMHALINGSTOESTEL - MONTAGE EN ONDERHOUD VERVOLGD

onderkant van het apparaat door de knop naar "open" te draaien.

AFBEELDING 2.10 OP PAGINA 16

Schuif de batterij in het batterijvakje van de PX5® door de sleuf op de batterij uit te lijnen met de geleider aan de binnenkant van het vakje.

AFBEELDING 2.11 OP PAGINA 17

Doe de klep van het batterijvakje dicht. Zorg ervoor dat deze goed is afgesloten en de vergrendeling goed vastklikt. Dit klepje moet goed dicht zitten en verzegeld zijn om het apparaat te beschermen tegen schade door vloeistoffen of vuil en voor de IP65 classificatie.

VERVANG PAKKING BATTERIJKLEPJE

AFBEELDING 2.12 OP PAGINA 17

Verwijder de oude pakking als de batterijklep eraf of open is. Let op de plaats van het lipje op de pakking. Plaats de nieuwe pakking door deze rond het klepje uit te rekken, in het gootje dat rondom het klepje loopt.

FILTERS

Controleer of de verzegelde plastic verpakking nog intact is voor het installeren van de filter. Nadat de verzegeling is verbroken, wordt de filter blootgesteld aan de omgeving en kan deze verontreinigd raken. Controleer voordat u de filter installeert of de volgende dingen in orde zijn:

1. Controleer of de ventilator is uitgeschakeld en of de ventilator stil staat voordat u de deur van de behuizing opent.
2. Inspecteer de filter op scheuren of enig teken van schade.
3. Inspecteer of de pakking aan de achterkant van de filter schoon is en vrij van scheuren of vervormingen.
4. Markeer de installatiedatum / -tijd op het filter of de patroon.

Hoog Rendement (HR) Filter

Gebruik de HR-filter 03-892 in atmosferen die alleen vaste of vloeibare deeltjes bevatten, zoals stof, nevels of dampen.

 WAARSCHUWING De HR-filter verwijdert geen organische dampen of zure gassen. Gebruik de 03-893 OV/HR-filter, 03-894 of 03-895 Meervoudige Gasfilter voor dat soort verontreinigingen.

VERVANG HET SCHARNIER VAN HET BATTERIJKLEPJE

AFBEELDING 2.13 OP PAGINA 17

Verwijder het batterijklepje, schuif vervolgens het scharnier helemaal naar binnen om deze van de rail in het batterijvakje te kunnen halen.

AFBEELDING 2.14 OP PAGINA 17

Schuif het nieuwe scharnier het batterijvakje in. Zorg dat de pinnen van het scharnier in de rails vallen. Klik vervolgens de batterijklep op de dwarsbalk van het scharnier.

VERVANG HET BATTERIJKLEPJE

AFBEELDING 2.15 OP PAGINA 17

Koppel het klepje los van het scharnier door de klep in de richting van het scharnier te trekken. Bevestig het nieuwe klepje door deze op de dwarsbalk van het scharnier te klikken.

Organische Damp/Hoog Rendement Filter (OD/HR) A2P Filter

Gebruik het OD/HR-combinatiepatroon O3-893 in een omgeving die organische dampen en gassen kan bevatten, zoals oplosmiddelen en gassen. Sommige van deze gassen en dampen bevatten zwaveldioxide, chloor, waterstofchloride, waterstoffluoride, chloordioxide en organische dampen. Zie de RPB®-Filterstoffen Tabel voor een lijst met stoffen en het juiste filter om te gebruiken. De Filterstoffen Tabel kan worden gedownload op www.rpbsafety.com/air-monitoring-filtration-supply/px5. Sommige stoffen, zoals koolmonoxide, kunnen niet worden uitgefilterd met een PAPR en hebben mogelijk toegevoerde lucht of OWPA nodig.

Meervoudige Gas/Hoog Rendement ABE1P Combinatiefilter

Gebruik het Meervoudige Gasfilter patroon O3-894 in atmosferen die gassen kunnen bevatten, zoals organische dampen, zwaveldioxide, chloordioxide, chloor, waterstofchloride, waterstofsulfide, methylamine, waterstoffluoride, of formaldehyde. Zie de RPB® Filterstoffen Tabel voor een lijst met stoffen en het juiste filter om te gebruiken. De Filterstoffen Tabel kan worden gedownload op www.rpbsafety.com/air-monitoring-filtration-supply/px5. Sommige stoffen, zoals koolmonoxide, kunnen niet worden uitgefilterd met een PAPR en vereisen mogelijk ademlucht of OWPA.

Meervoudige Gas/Hoog Rendement ABEK1P Combinatiefilter

Gebruik het Meervoudige Gasfilter patroon O3-895 in atmosferen die gassen kunnen bevatten, zoals organische dampen, zwaveldioxide, chloordioxide, chloor, waterstofchloride, waterstofsulfide, methylamine, waterstoffluoride, ammoniak of formaldehyde. Zie de RPB® Filterstoffen Tabel voor een lijst met stoffen en het juiste filter om te gebruiken. De Filterstoffen Tabel kan worden gedownload op www.rpbsafety.com/air-monitoring-filtration-supply/px5. Sommige stoffen, zoals koolmonoxide, kunnen niet worden uitgefilterd met een PAPR en vereisen mogelijk ademlucht of OWPA.

Levensduur van HR Filter, OD/HR Filter, Meervoudige Gasfilter, Voorfilter en Vonkenvanger

Filters en patronen moeten worden vervangen in overeenstemming met het vervangingsschema in uw adembeschermingsplan met gebruikmaking van de datum en tijd die bij installatie op het filter of patroon zijn aangegeven.

De HR-filter moet worden vervangen als het luchttoevoer-alarm afgaat of als de meting van de luchtstroom meter onder de 6cfm (170 slpm) minimale luchttoevoer daalt. De HR-filter moet ook worden vervangen als er schade is aan de filter, zoals een scheur of punctie, enz., of als de filter nat wordt. De PX5® is gekeurd om alleen te worden gebruikt met originele RPB®-filters en -patronen.

Het OD/HR of Meervoudige Gasfilter patroon moet na elk gebruik worden vervangen of als een van bovenstaande HR-filteromstandigheden van toepassing is.

U wordt aanbevolen om de voorfilter te vervangen als deze vies of beschadigd is of op hetzelfde moment als de HR- of de OD/HR of Meervoudige Gas-filter. De vonkenvanger moet worden vervangen als deze beschadigd raakt of verstopt raakt met vuil.

ADEMHALINGSTOESTEL - MONTAGE EN ONDERHOUD VERVOLGD

DE HOOG RENDEMENT FILTER EN DE VOORFILTER INSTALLEREN

AFBEELDING 3.1 OP PAGINA 19

Plaats de 03-892 HR filter in de PX5® door de lipjes door de sleuven in de bovenrand van de PX5®-filter behuizing te steken en vervolgens de rest van filter naar beneden drukken totdat het onderste lipje op zijn plaats klikt. Controleer of beide lipjes op de grendel van de filter goed vastzitten.

AFBEELDING 3.2 OP PAGINA 19

Het voorfilter kan aan de HEPA- of Gasfilter worden bevestigd voor of na het installeren van de filters op de PAPR. Bevestig het voorfilter op het bovenste lipje (1.) van de HR-filter en vervolgens op de onderste lipjes (2.) aan de onderkant van de HR-filter.

AFBEELDING 3.3 OP PAGINA 19

Plaats de klep van de filter met de uitsparing voor de handgreep naar boven, aan de tegenovergestelde kant van de batterijklep. Herbevestig de klep van de filter door deze terug te plaatsen als de filter op zijn plaats zit en op zowel de bovenkant (1) als onderkant (2) te drukken tot deze stevig vast zit. Je zou een klik moeten horen en daarna zou weinig tot geen opening zichtbaar moeten zijn.

HET OD/AG/HR OF MEERVOUDIG GASFILTER PATROON INSTALLEREN

AFBEELDING 4.1 OP PAGINA 20

Schuif de twee lipjes aan de bovenkant van de filter in de sleuven aan de bovenkant van de PX5®. Klik vervolgens de onderkant van de filter vast totdat u het onderste lipje op zijn plaats voelt klikken. Controleer of beide lipjes op de grendel van de filter goed vastzitten. Installeer het voorfilter op het gaspatroon door dezelfde stappen te volgen als in figuur 3.2.

WAARSCHUWING

De filterkleppen van de PX5® kunnen niet worden bevestigd zonder dat er een filter geplaatst is. Gebruik de PAPR nooit zonder een filter.

AFBEELDING 4.2 OP PAGINA 20

Bevestig de klep van de filter door deze terug te plaatsen als de filter op zijn plaats zit en op zowel de bovenkant (1) als de onderkant (2) te drukken tot deze stevig vast zit. U zou een klik moeten horen en er zou daarna weinig tot geen opening zichtbaar moeten zijn. Let op, de filter moet geplaatst zijn om de klep terug te kunnen plaatsen.

DE VONKENVANGER INSTALLEREN/VERVANGEN

AFBEELDING 5.1 OP PAGINA 21

Verwijder de deksel van de groene vonkenvanger door eerst de klep van de filter te verwijderen en vervolgens op de lipjes te drukken die de deksel van de vonkenvanger op zijn plaats houden.

AFBEELDING 5.2 OP PAGINA 21

Plaats de filterklep terug op de PX5®. Bevestig de vonkenvanger onder de lipjes aan de voorkant van de filterklep.

AFBEELDING 5.3 OP PAGINA 21

Bevestig de deksel van de vonkenvanger door de lipjes aan de bovenkant door de sleuven in de klep van de filter te steken (1). Klik de onderkant van de klep stevig vast (2).

FILTER VERWIJDEREN

AFBEELDING 6.1 OP PAGINA 22

Zorg ervoor dat de ventilator van de PX5® is uitgeschakeld voordat u de klep van de Filter opent. (Let op: houd de knop ingedrukt

⚠ WAARSCHUWING

Afhankelijk van de verontreinigingen die door de PX5® worden gefilterd, kan de gebruikte filter gevaarlijk zijn. Neem passende voorzorgsmaatregelen bij het hanteren van de gebruikte filter om blootstelling aan vrijgegeven verontreinigingen te voorkomen; er kan een bedrijfsprocedure voor afvalverwerking nodig zijn.

om uit te schakelen.) Als de eenheid aan staat, kunnen er verontreinigingen in het apparaat gezogen worden en de zuigkracht kan het moeilijk maken om de filter te verwijderen.

AFBEELDING 6.2 OP PAGINA 22

(1.) Til eerst de achterkant van de filterklep op, (2.) til de rest van de klep op en verwijder deze.

AFBEELDING 6.3 OP PAGINA 22

Verwijder de filter van de PX5® door het lipje aan de onderkant van de filter in te drukken en op te tillen. Gooi de filter op een verantwoorde en veilige manier weg in overeenstemming met de voorschriften. Installeer een nieuwe filter en inspecteer/vervang de voorfilter 03-890.

ADEMHALINGSSLANG

AFBEELDING 7.1 OP PAGINA 23

Inspecteer de ademhalingslang (04-831) volledig en zorg ervoor dat er geen schade is en dat de o-ringen op hun plaats zitten en niet beschadigd zijn.

INDICATIELAMPJES EN ALARMEN

De indicatielampjes zijn een geavanceerde indicator voor de luchtstroom en de batterij om de gebruiker op de hoogte te stellen van de status van het apparaat voordat het wordt aangetrokken of om te worden gecontroleerd tijdens het gebruik. Als het alarm afgaat, verlaat dan onmiddellijk het werkgebied om de oorzaak van het alarm op te lossen. Het volume van het alarm is 85 dBA bij 104mm (4in).

AFBEELDING 7.2 OP PAGINA 23

Draai de kant met schroefdraad op de inlaat van het ademhalingstoestel.

AFBEELDING 7.3 OP PAGINA 23

Neem het bajonetuiteinde, verbind deze aan de PX5® en zorg ervoor dat de sleuven op één lijn liggen met de pinnen in de uitlaat van de PX5®.

AFBEELDING 7.4 OP PAGINA 23

Roteer de ademhalingslang een halve slag met de klok mee om deze vast te zetten. Zorg ervoor dat deze goed is vergrendeld.

AAN/UIT-KNOP EN BATTERIJ-LICHTJE

AFBEELDING 8.1 OP PAGINA 24

De aan/uit-knop bevindt zich aan de linkerkant van de eenheid als u naar de voorkant van de PX5® kijkt. **INSCHAKELEN:** Houd de aan/uit-knop ingedrukt (ongeveer 1 seconde). De eenheid zal vibreren en u zult een piepje horen bij het aanzetten. Let op: Het apparaat start altijd in de lage snelheidsinstelling en zou binnen 5-10 seconden de nominale toevoer moet bereiken. Laat vóór gebruik het apparaat 5 minuten opwarmen of tot de luchtstroom meter (03-819) zich binnen het veilige bereik bevindt, zodat er voldoende luchttoevoer is. (Zie het gedeelte over Ademhalingsslangen voor informatie over het lezen van de meting van de luchtstroom meter.)

UITSCHAKELEN: Houd de aan/uit-knop (ongeveer 1 seconde) ingedrukt en het apparaat wordt uitgeschakeld.

ADEMHALINGSTOESTEL - MONTAGE EN ONDERHOUD VERVOLGD

ALARMEN TABEL 1.2

LUCHTTOEVOER ALARM	Het alarm klinkt met een knipperende rode LED in de stroomindicator wanneer de toevoer naar de kap lager ligt dan de minimumeis van 175slpm (6 cfm) voor langer dan 5-10 seconden.
ALARM BATTERIJNIVEAU	Het alarm klinkt met een knipperende rode LED in de batterij-indicator als er nog voor ongeveer 10-15 minuten lading in de batterij zit.
BATTERIJ OVERVERHIT	Het alarm klinkt als de batterij oververhit raakt. Als het apparaat gedurende 10 minuten buiten dit temperatuurbereik wordt gebruikt, wordt het batterijalarm geactiveerd.
ANDERE ALARMEN	Het alarm gaat af als er een batterijfout of een algemene systeemstoring is bij het opstarten of tijdens bedrijf in combinatie met knipperende LED's.

⚠ WAARSCHUWING

Houd bij het verlaten van het werkgebied het masker ingeschakeld, het filter geïnstalleerd en de beademings slang aangesloten terwijl u het werkgebied verlaat. Wanneer het toestel wordt uitgeschakeld, is weinig of geen ademhalingsbescherming te verwachten. Wanneer het apparaat wordt uitgeschakeld, kan een snelle ophoping van koolstofdioxide en een tekort aan zuurstof in de helm of luchtkap ontstaan. Als dit gebeurt, moet u mogelijk het masker verwijderen als u weggaat. (Dit gasmasker mag niet worden gebruikt in een atmosfeer die onmiddellijk gevaarlijk is voor het leven of de gezondheid.)

HIJ FILTERBLOKKERING INDICATIELAMPJES

⚠ WAARSCHUWING

De indicatorlampjes voor verstopping van het HE-filter waarschuwen voor de luchtstroom die verband houdt met het HE-filter. Ze geven niet de levensduur van gasfilters aan. Volg voor gasfiltratie het vervangingsplan dat is gespecificeerd in uw ademhalingsbeschermingsprogramma.

FILTER VERSTOPPING

AFBEELDING 8.2 OP PAGINA 25

Verstopping van de filter wordt op het bedieningspaneel aangegeven door de veelkleurige pijl onder de aan/uit-knop.

- Groen = normale operatie
- Geel = Voldoende luchtstroom, enige blokkering gedetecteerd, HE-filter met 20% of minder capaciteit over voor filtratie.
- Rood = Blokkering gedetecteerd - het luchtstroompad is geblokkeerd of het HE-filter heeft 10% of minder resterende capaciteit.

■ Alarmerend = verstopping ernstiger, verlaat het werkgebied veilig.

Zodra u zich buiten het werkgebied bevindt, schakelt u het apparaat uit en lost u het probleem op. Controleer het filter op verstopping of iets dat het luchtpad naar het hoofddekseel blokkeert. Als het filter verstopt is door verontreinigingen, vervang het filter dan door een nieuw exemplaar.

VENTILATORSNELHEID

AFBEELDING 8.2 OP PAGINA 25

Snelheidsinstellingen: Gebruik de 3 snelheidsinstellingen door op de aan/uitknop te drukken. Met elke druk op de knop roteert u door de snelheidsinstellingen.

AFBEELDING 8.3 OP PAGINA 25

Het batterijniveau wordt aangegeven door de batterijvormige LED-lampjes aan de zijkant van de PX5®. 3 groene LED's = helemaal opgeladen, 2 groene LED's = 25-75% opgeladen, 1 groene LED = minder dan 25% opgeladen, 1 rode LED knippert = 5% of minder opgeladen, de batterij is bijna helemaal leeg, hij moet worden opgeladen en staat op het punt om zich uit te schakelen.

VERVANGEN RIEM

AFBEELDING 9.1 OP PAGINA 26

Kies de juiste riem voor de werkomgeving. We bieden verschillende soorten riemen voor verschillende toepassingen. Raadpleeg de onderdelenlijst voor beschikbare opties.

AFBEELDING 9.2 OP PAGINA 26

Zorg dat de beugel niet aan de PX5® vast zit om de riem erdoorheen te kunnen rijden.

AFBEELDING 9.3 OP PAGINA 26

Leid de riem door de riembeugel zoals hierboven aangegeven, let op de richting.

AFBEELDING 9.4 OP PAGINA 26

Rijg nu het clip-uiteinde van de gesp op de riem en trek de riem in de hierboven getoonde volgorde op de gewenste lengte.

RIEM/RUGZAK DRAAGSTEUN

AFBEELDING 9.5 OP PAGINA 27

Zet de ronde sleuven van de beugel op lijn met de lipjes aan de achterkant van de PX5®. Het lipje op de riembeugel moet naar beneden wijzen.

AFBEELDING 9.6 OP PAGINA 27

Volg de pijl op de riembeugel richting de symbolen "vergrendelen" en "ontgrendelen". Draai de beugel totdat het lipje over de verhoging aan de achterkant van de PX5® vastklikt. Controleer of deze goed vast zit.

Maak de rugzak op dezelfde manier vast als de riem.

AANPASSING VAN HET HARNAS VAN DE RUGZAK

AFBEELDING 9.7 OP PAGINA 27

Steek je armen als een rugzak door de riemen en klik de borstgesp samen.

De rugzak kan met de PX5 op de rug of op de borst worden gedragen.

AFBEELDING 9.8 OP PAGINA 27

Met het harnas van de rugzak om, stelt u de banden zo in dat ze comfortabel strak zitten, zodat de PX5 niet beweegt.

GEBRUIK LUCHTSTROOM METER

AFBEELDING 10.1 OP PAGINA 28

Verbind de luchtstroom meter aan de uitlaat. Zet de bajonetsleuven op hun plek en draai 180° rechtsom tot deze vastklikt.

AFBEELDING 10.2 OP PAGINA 28

Zet de PX5® aan en plaats de eenheid zo dat de luchtstroom meter recht omhoog of

ADEMHALINGSTOESTEL - MONTAGE EN ONDERHOUD VERVOLGD

verticaal staat voor de meest nauwkeurige resultaten.

HET LABEL VAN DE LUCHTSTROOM METER LEZEN.

AFBEELDING 10.3 OP PAGINA 28

De niveaus van de luchtstroom meters zijn gegroepeerd op temperatuur en hoogte. Bijv.: gestippeld vak toont niveaus voor verschillende temps op zeeniveau.

Selecteer de hoogte die het dichtst bij de hoogte ligt waar de controle wordt uitgevoerd.

AFBEELDING 10.4 OP PAGINA 28

Wanneer de PX5® op snelheid 1 staat, zweeft de bal in de luchtstroom meter. Zorg ervoor dat de bal zich boven de gebogen lijn bevindt die de hoogte en temperatuur aangeeft. Bijv: 1200 m boven zeeniveau en 20°C.

UITGEBREIDE AANWIJZINGEN LUCHTSTROOM METER

Bepaal de hoogte van uw locatie en de huidige temperatuur. Merk op dat deze gegevens de omgeving moeten weergeven waar de luchttoevoer-controle wordt uitgevoerd, niet de werkomgeving waarin de eenheid achteraf zal worden gebruikt. Als de omgeving verandert na het uitvoeren van de luchttoevoer-controle, zal de eenheid zich automatisch aanpassen aan veranderingen in luchtdruk of temperatuur.

Raadpleeg een hoogtemeter of opzoektabel om de hoogte te bepalen waarop u zich bevindt. Raadpleeg een thermometer voor de huidige temperatuur van uw omgeving. Raadpleeg uw supervisor als u twijfelt over een van deze gegevens.

Controleer de groene hoogteaanduidingen om de waarde te vinden die het dichtst bij de hoogte van uw locatie ligt. Controleer de temperatuurmarkeringen die verticaal naast de hoogteaanduiding staan om de waarde te vinden die het dichtst bij de temperatuur van uw omgeving ligt. Dit is de minimale luchttoevoer-markering die moet worden gecontroleerd. Verbind de luchtstroom meter aan de uitlaat van de PX5® en draai 1/2 slag om te vergrendelen. Kantel de PX5® zodat de luchtstroom meter verticaal staat. Zet de PX5® aan en laat deze op snelheid 1 staan en laat de luchttoevoer gedurende 30 seconden stabiliseren. Controleer met de meter, die nog steeds in verticale positie staat, of de bal boven minimale luchtstroom-indicator zit voor uw hoogte en temperatuur.

Let op: De luchtstroom meter is voorzien van hoogteaanduidingen in zowel meters als voeten. Temperaturen worden zowel in °F als in °C uitgedrukt. Zorg ervoor dat u de luchtstroom meter correct afleest.

Gebruik de PX5® niet als de meter niet de minimale luchttoevoer-snelheid op de luchtstroom meter bereikt. Bij lage luchttoevoer zal het beschermingsniveau afnemen.

INSPECTIE, REINIGING EN ONTSMETTING

Vóór elk gebruik moet de eenheid op de volgende punten worden geïnspecteerd. Dit helpt om te bepalen of het apparaat werkt zoals het was ontworpen en of het voldoende bescherming biedt:

1. PX5® PAPR-SYSTEEM: Voer een visuele inspectie uit van de gehele eenheid, met inbegrip van de motorbehuizing, de filterklep en de klep van de behuizing, filter en voorfilters, batterij, riem en ademhalings slang. Controleer ook of de juiste kap of gezichtsstukken zijn bevestigd.

2. **BATTERIJ:** Controleer of de batterij volledig is opgeladen om te bevestigen dat er voldoende lading is voor de beoogde werkperiode. Zorg ervoor dat de pakking van de batterijklep in goede staat is en dat de klep goed is gesloten.
3. **ADEMHALINGSSLANG:** Inspecteer de ademhalings slang volledig, op spleten en scheuren in de slang, controleer of de fittingen stevig vast zitten in de slang en of de zegel op zijn plaats zit in de bajonetsluiting van de PX5®. Zorg dat de ademhalings slang stevig in de PX5®-eenheid past en de verbinding zonder lekken afsluit. Zie Afb. 5.3 en 5.4
4. **HR FILTER:** Inspecteer de filterbehuizing op scheuren en vervormingen die de afsluiting van de PX5®-eenheid beïnvloeden. Inspecteer het filterpapier en de pakking zorgvuldig op de volgende gebreken; vuil, sneetjes en scheuren, vervormingen of inkepingen. De pakking kan worden afgeveegd met een vochtige doek om vuildeeltjes te verwijderen. Gebruik geen oplosmiddelen of reinigingsmiddelen. Het HR-filterpapier mag niet in water worden schoongemaakt of ondergedompeld. Schade aan het HR-filterpapier beïnvloedt het vermogen om de lucht te filteren en kan gebruikers blootstellen aan schadelijke omgevingen. Alle beschadigde filters, voorfilters en vonkenvangers moeten vervangen voordat u de PX5® gebruikt.
5. **OD/HR FILTER en Meervoudige Gasfilter:** Reinig en hergebruik de 03-893, 03-894, of 03-895 filters niet. Deze filters zijn voor eenmalig gebruik. Gooi de gebruikte filters op gepaste wijze weg conform de overheidsvoorschriften, afhankelijk van de verontreinigingen waaraan ze zijn blootgesteld.
6. **LUCHTSTROOM METER:** Controleer of de bal in de 03-819 luchtstroom meter vrij beweegt. Steek de luchtstroom meter in de uitlaat van de PX5® en geef een halve draai om te vergrendelen, zodat deze verticaal staat. Zet de PX5® aan en laat de lucht voor een periode van 30 seconden stabiliseren. Controleer met de meter, die nog steeds in verticale positie staat, of de bal boven de minimale luchtstroom-indicator zit.

Gebruik de PX5® niet als de meter de minimale luchttoevoer-snelheid van de luchtstroom meter niet haalt. Een lage luchttoevoer zal het beschermingsniveau verlagen. Zie het gedeelte 'Gebruik Luchtstroom Meter' voor aanwijzingen.
7. **AALARMSIMULATIE:** Controleer of het luchttoevoer-alarm goed werkt. Zet de PX5® aan en wacht 5-10 seconden totdat de nominale luchtstroom wordt bereikt. Plaats vervolgens de palm van uw hand over de uitlaat van de PX5®. Blijf de hand stevig over de uitlaat houden, beperk zo de luchtstroom tot het alarm af gaat (geluidssignaal en rode LED-indicatoren op de gebruikerinterface) na 5-10 seconden, om aan te geven dat de luchttoevoer onder de minimale vereisten valt. Verwijder uw hand en het alarm en de LED zouden terug naar normaal moeten gaan zodra de luchttoevoer weer op een veilig niveau is.
8. **REINIGING:** Verwijder vuil en andere verontreinigingen van de externe oppervlakken en de voorkant van de behuizing van de ventilatormotor van de PX5® met een vochtige doek en een verdund, mild, pH-neutraal reinigingsmiddel of verdunde isopropylalcohol (70% IPA of lager). Gebruik geen organische oplosmiddelen, schuurmiddelen of middelen met een

ADEMHALINGSTOESTEL - MONTAGE EN ONDERHOUD VERVOLGD

hoog percentage ethanol. Neem contact op met RPB® als u niet zeker bent over het gebruik van chemische reinigingsmiddelen voor de PX5®-eenheid. De PX5® mag niet worden ondergedompeld in water, in een reinigungsoplossing of in een reinigungs-machine voor ademhalingstoestellen worden geplaatst. Een reinigungsset waarmee de PX5® kan worden ondergedompeld, wordt in de toekomst vrijgegeven.

9. RIEMSTEUN OF RUGZAK: Controleer de riemsteun en de riem op scheurtjes of barsten. Als er barsten zijn of overmatige slijtage zichtbaar is, moeten het item worden vervangen. Verwijder de beugel van de PX5® om de Riemsteun (O3-811) te vervangen. Haal de riem van de riemsteun af. Rijg de nieuwe riem of rugzakriemen in de riemsteun en bevestig deze opnieuw aan de PX5®.

PRODUCTSPECIFICATIES EN GEGEVENS TABEL 1.3

LUCHTTOEVOER	Snelheid 1: Hoger dan 170slpm (6cfm). Snelheid 2: Hoger dan 210slpm (7.4cfm) Snelheid 3: Hoger dan 240slpm (8.4cfm)
BEDRIJFSTEMPERATUUR	Tussen -20°C tot 50°C (-4°F tot 122°F). Als het apparaat gedurende 10 minuten buiten dit temperatuurbereik wordt gebruikt, wordt het batterijalarm geactiveerd.
WERKGELUID	Snelheid 1: 57 dBA op 305mm (12") van het apparaat. Snelheid 2: 59 dBA op 305mm (12") van het apparaat. Snelheid 3: 62 dBA op 305mm (12") van het apparaat. Let op: De metingen zijn uitgevoerd op de afstand gemeten vanaf de voorkant van het apparaat terwijl aangesloten op een T-Link®-Ademhalingstoestel met de 3 snelheden.
OPSLAGSTEMPERATUUR	Tussen -10° en 45°C (14° F en 113° F) <90% RH.
HOUDBAARHEID VAN PRODUCT	(als nieuw en bewaard in originele verzegelde verpakking)
A. MOTOR/VENTILATOR EENHEID	A. 5 jaar
B. BATTERIJ	B. 1 jaar
C. FILTERS	C. 5 jaar
INTRINSIEKE VEILIGHEID	De PX5® PAPR is NIET geclassificeerd als een intrinsiek veilig apparaat.
TOEGEKENDE PROTECTIE FACTOR (TPF)	De toegekende protectie factor is afhankelijk van het type ademhalingstoestel dat wordt gebruikt met de PX5® PAPR.

OPSLAG

De PX5® mag niet worden opgeslagen terwijl de filter of de batterij nog is bevestigd als deze gedurende langere tijd niet wordt gebruikt. Bewaar op een schone, droge plek, uit de buurt van directe warmtebronnen tussen -10°C en +45°C (14°F en 114°F), bij een relatieve vochtigheid van minder dan 90%.

Zie tabel 1.3 en 1.4 voor aanbevelingen voor batterijopslag.

Zorg dat de batterijklep gesloten is tijdens opslag of wanneer het apparaat niet in gebruik is. Dit om binnendringen van stof of verontreinigingen te verminderen.

Alle filters moeten opgeslagen worden in de verzegelde plastic zak waarin ze geleverd zijn.

Sla open, ongebruikte filters op in een luchtdichte plastic zak of container zodat ze niet worden blootgesteld aan verontreiniging. Afhankelijk van de verontreinigingen moeten gebruikte filters in een luchtdichte plastic zak worden geplaatst, zodat verontreinigingen worden ingesloten en vervolgens volgens de voorschriften worden weggegooid.

03-855 BATTERIJ PRODUCTSPECIFICATIES EN GEGEVENS

TABEL 1.4

BEDRIJFSTEMPERATUUR	-20 ° tot 50 ° C (-4 ° tot 122 ° F). Als het apparaat gedurende 10 minuten buiten dit temperatuurbereik wordt gebruikt, wordt het batterijalarm geactiveerd. Als de interne batterijtemperatuur 60°C (140° F) bereikt, schakelt het apparaat zichzelf volledig uit.			
OPSLAGSTEMPERATUUR	-20° tot 50°C (-4° F tot 122° F) <90% RH voor maximaal 1 maand. -20° tot 45°C (-4° F tot 113° F) <90% RH langer dan 1 maand.			
WERKDUUR BATTERIJEN	P "HR" Filter	A2P Gasfilter	ABE1P Gasfilter	ABEK1P Gasfilter
Snelheid 1:	>10 uur	>5 uur	>5 uur	>5 uur
Snelheid 2:	>7 uur	>4 uur	>4 uur	>4 uur
Snelheid 3:	>6 uur	>4 uur	>4 uur	>4 uur
	Merk op dat deze duur wordt geschat op basis van tests met een nieuwe batterij en een nieuw schoon filter bij 21°C (70°F). Deze duur kan langer of korter zijn, afhankelijk van de omgeving en instellingen. Let op: raadpleeg uw transport specialist voordat u lithium-ion-batterijen vervoert.			
OPLADEN VAN DE BATTERIJ	5 uur, 300+ oplaadcycli met levensduur van batterij hoger dan 80% van het origineel			

03-856 BATTERIJ PRODUCTSPECIFICATIES EN GEGEVENS

TABEL 1.5

BEDRIJFSTEMPERATUUR	<p>-20 ° tot 60 ° C (-4 ° tot 140 ° F). Als het apparaat gedurende 10 minuten buiten dit temperatuurbereik wordt gebruikt, wordt het batterijalarm geactiveerd.</p> <p>Als de interne batterijtemperatuur 70°C (158° F) bereikt, schakelt het apparaat zichzelf volledig uit.</p>			
OPSLAGSTEMPERATUUR	<p>Minder dan 1 maand: -20° tot 50° C (-4° F tot 122° F) <90% RH Minder dan 3 maanden: -20° tot 40° C (-4° F tot 104° F) <85% RH Minder dan 12 maanden: -20° tot 20° C (-4° F tot 68° F) <85% RH</p>			
WERKDUUR BATTERIJEN	P "HR" Filter	A2P Gasfilter	ABE1P Gasfilter	ABEK1P Gasfilter
Snelheid 1:	>10 uur	>5 uur	>5 uur	>5 uur
Snelheid 2:	>7 uur	>4 uur	>4 uur	>4 uur
Snelheid 3:	>6 uur	>4 uur	>4 uur	>4 uur
	<p>Merk op dat deze duur wordt geschat op basis van tests met een nieuwe batterij en een nieuw schoon filter bij 21°C (70°F). Deze duur kan langer of korter zijn, afhankelijk van de omgeving en instellingen.</p> <p>Let op: raadpleeg uw transport specialist voordat u lithium-ion-batterijen vervoert.</p>			
OPLADEN VAN DE BATTERIJ	<p>5 uur, 500+ oplaadcycli met levensduur van batterij hoger dan 80% van het origineel</p>			

ONDERDELEN EN ACCESSOIRES

AFBEELDING 11.1 OP PAGINA 34

LIJST MET ONDERDELEN

Item Nummer	Beschrijving	Onderdeel Nummer
1	Klep Behuizing	03-812
2	Vonkenvanger	03-891
3	Voorfilter (Pakket van 10)	03-890
4	HR Filterklep	03-813
5	P "Hoog Rendement (HR)" Filter	03-892
6	Behuizing Ventilator	03-810
7	Batterijklep Onderdeel	03-815
8	Pakking Batterijklep	03-817
9	Scharnier Batterijklep (Houder)	03-818
10	Batterij	03-855
	Batterij - Hoge capaciteit	03-856
11	Riemsteun	03-811
12	5 cm (2 Inch) Riem	07-765
	5 cm (2 Inch) Riem - (Brandvertrager)	07-765-FR
	5 cm (2 Inch) Riem - Makkelijk schoon	07-765-DC
13	Ademhalings slang	04-831
14	Toevoer Meter	03-819
15	Oplader Batterij	03-851
16	Voedingskabel - VS 2 pin	09-021
	Power Cable - VK 3 pin	09-021-UK
	Power Cable - EU 3 pin	09-021-EU
	Power Cable - AU 2 pin	09-021-AU
17	OV/HR Filter - A2P	03-893
	Meervoudige gasfilter - ABE1P	03-894
	Meervoudige gasfilter - ABEK1P	03-895
18	OV/HR or MG Filter Behuizing	03-814
19	Rugzak harnas voor PX5 - Brandvertragend	03-822-FR
	Rugzak harnas voor PX5 - Makkelijk Schoon	03-822-DC
20	Ademhalings slang Rugzak	04-841
	Ademhalings slang Rugzak - voor Z3	04-842



WAARSCHUWING

Gebruik alleen exacte, authentieke RPB®-vervangingsonderdelen (gemarkeerd met het RPB®-logo en onderdeelnummer) en alleen in de aangegeven opstelling. Gebruik van onvolledige of ongeschikte uitrusting, waaronder het gebruik van nagemaakte of niet-RPB®-onderdelen, kan resulteren in onvoldoende bescherming en maakt de keuring van het volledige ademhalingsstelsel nietig.

BEPERKTE GARANTIE

RPB® garandeert dat haar Producten gedurende één (1) jaar vrij zijn van materiaal- en fabricagefouten, met inachtneming van de voorwaarden van deze beperkte garantie.

De Producten worden alleen verkocht voor commercieel gebruik en er zijn geen consumentengaranties van toepassing op de Producten. Deze beperkte garantie komt ten goede aan de oorspronkelijke koper van het Product en kan niet worden overgedragen of toegewezen. Dit is de enige en exclusieve garantie die door RPB® wordt geboden en **ALLE VOORWAARDEN EN STILZWIJGENDE GARANTIES (INCLUSIEF ELKE GARANTIE VAN VERKOOPBAARHEID OF GESCHIKTHEID VOOR EEN BEPAALD DOEL) WORDEN UITGESLOTEN EN UITGESLOTEN VAN DE GARANTIEDEKKING**. De beperkte garantiestedking van RPB® is niet van toepassing op schade die voortvloeit uit een ongeval, oneigenlijk gebruik of verkeerd gebruik van de Producten, slijtage als gevolg van het normale gebruik van de Producten of het niet correct onderhouden van de Producten.

De beperkte garantiestedking van RPB® geldt vanaf de oorspronkelijke aankoopdatum van de Producten en is alleen van toepassing op gebreken die zich voor het eerst manifesteren en die binnen de garantieperiode aan RPB® worden gemeld. RPB® behoudt het recht om naar redelijke tevredenheid te bepalen of een geclaimd defect onder deze beperkte garantie valt.

Als er defect optreedt dat onder de garantie valt, zal RPB® naar eigen goeddunken het defecte Product (of een onderdeel van het product) repareren of vervangen. Deze 'reparatie of vervanging' oplossing is de enige en exclusieve remedie onder deze beperkte garantie en de aansprakelijkheid van RPB® onder deze beperkte garantie zal onder geen enkele omstandigheid de oorspronkelijke aankoopprijs voor de Producten (of het toepasselijke onderdeel) overschrijden. RPB® is niet verantwoordelijk voor incidentele of gevolgschade, inclusief gebruiksderving, onderhoud en andere kosten, en **ALLE INCIDENTELE EN GEVOLGSCHADE ZIJN UITGESLOTEN EN NIET ERKEND** door deze beperkte garantie. Neem contact op met RPB® voor garantieservice. Een bewijs van aankoop moet worden verstrekt om garantieservice te krijgen. Alle kosten van het terugzenden van de Producten naar RPB® voor garantieservice moeten door de koper worden betaald.

RPB® behoudt zich het recht voor om haar producten te verbeteren door wijzigingen in ontwerp of materialen aan te brengen zonder verplichtingen te hebben jegens kopers van eerder gefabriceerde Producten.

AANSPRAKELIJKHEID

RPB® Safety kan geen enkele aansprakelijkheid aanvaarden van welke aard dan ook die direct of indirect voortvloeit uit het gebruik of misbruik van RPB® Safety-producten, inclusief doeleinden waarvoor de producten niet zijn ontworpen. RPB® Safety is niet aansprakelijk voor schade, verlies of kosten als gevolg van het niet geven van advies of informatie of het geven van onjuist advies of informatie, al dan niet vanwege nalatigheid van RPB® Safety of die van zijn werknemers, agenten of onderaannemers.

OTHER PRODUCTS

RPB® Z-LINK®

The most versatile multi-purpose respirator system on the planet. From welding and grinding to chemical handling, the Z-Link® serves the widest spectrum of industries and applications on the market. This is more than a product. It's a system. Engineered to advance your safety. Designed to increase your productivity.



RPB® T-LINK®

Built off the Z-Link® platform, the T-Link® is designed to work with you, not against you. Gone are the days of having to fight against a Tyvek® respirator. The T-Link® moves with the operator anywhere they turn.



RPB® Z4®

The Z4® is the most advanced welding industrial respirator. Light weight and able to quickly flip up the weld visor for grinding or setting up the next weld while still offering respiratory protection and superior viewing. Designed to protect you for life's best moments.



MAN-74

