

E**DIGITAL STERILMATIC
STERILIZER (AUTOCLAVE)**

JOB NAME: _____

ITEM NO.: _____

NO. REQUIRED: _____

MODELS

- STM-ED** - Domestic sterilizer with programmable time, temperature and venting
- STM-EDX** - Export model sterilizer with programmable time, temperature and venting

DESCRIPTION

Will be a Market Forge Digital Model _____ Automatic Steam Pressure Sterilmatic Sterilizer (Autoclave). The Sterilmatic is dependable, and ideally suited for laboratories, veterinary clinics, processing plants and more. For use at altitudes up to 6500ft (200m).

CYLINDER

Sterilizing cylinder will be A.S.M.E. constructed and National Board Registered 3/16" (4.8mm) thick welded aluminum. Sterilizer exterior is made of polished stainless steel. Interior dimensions of 16" (406mm) in diameter and 26" (660mm) long with a cubic content of 5,220 cubic inches (85 liters) and will have a door opening of 13-1/2" (343mm) wide and 11" (279mm) high. Sterilizing compartment will have a pan capacity of:

- (3) 12" x 20" x 2-1/2" (305mm x 508mm x 64mm) or
- (2) 12" x 20" x 4" (305mm x 508mm x 102mm) or
- (1) 12" x 20" x 6" (305mm x 508mm x 152mm)

DOOR

The sterilizer door will be self-sealing type which cannot be opened until steam pressure is completely exhausted. Door will be 12 gauge stainless steel, removable for cleaning without tools. Door gasket will be one-piece molded, replaceable without tools or cement.

OPERATION

The sterilizing cycle is fully automatic with the time, temperature and venting controlled by the microprocessor based digital controller. The sterilizing temperature can be set anywhere in a range from 225°F (107°C) and 250°F (121°C).

Included are three programmable buttons for easy retrieval of desired preset settings. There is an on-board data logger/printer that records the time, temperature and pressure for each sterilization cycle. This data can be stored for future printing or be printed out following each cycle.

Two exhaust speeds are also available, slow and fast, depending on sterilizing media.

STANDARD FEATURES

- LCD Display Screen
- Temperature in °F (w/PSI) or °C (w/kPa)
- Sterilizing Temperatures from 225-250°F (107-121°C)
- Choose from FAST or SLOW Exhaust
- Built-In Data Recorder and Printer
- Programmable Buttons to store up to three Temp/Time/Vent Settings
- Maintains Set Temperature with Built-In Microprocessor
- Electric Steam Trap
- Removable Pan Supports
- Manual fill



STM-ED shown

SHIPPING WEIGHT

- All Models - 150 lbs (68 kg)

OPTIONS & ACCESSORIES

(at additional charge)

- Sterilmatic trays (stainless steel, one piece, round cornered) Perforated trays available in the following sizes:
 - 12" x 20" x 2-1/2" (holds 3 of this size)
 - 12" x 20" x 4" (holds 2 of this size + one 2-1/2" tray)
 - 12" x 20" x 6" (holds one of this size + one 2-1/2" tray)
- Sterilmatic wire basket (recommended for dressings)
 - Available in the following sizes:
 - 12" x 20" x 2-1/2"
 - 12" x 20" x 4"
- Sterilmatic tubular leg stainless steel stand with shelf
- Second shelf for tubular leg stainless steel stand
- Exhaust condenser (for condensing exhaust steam when unit cannot be vented to outside)

FOOD SERVICE EQUIPMENT
 Electric Sterilizer (Autoclave)


Tel: (802) 658-6600 • Fax: (802) 864-0183 • www.marketforge.com

ELECTRICAL SPECIFICATIONS

| Model | kW | Hz | 1 Phase | | | 3 Phase | | | |
|---------|------|----|---------|------|------|---------|------|----------|----------|
| | | | 208V | 220V | 240V | 208V | 240V | 220/380V | 240/415V |
| STM-ED | 9.3 | 60 | 45A | - | - | 26A | - | - | - |
| | 12.4 | 60 | - | - | 52A | - | 30A | - | - |
| STM-EDX | 10.4 | 50 | - | 48A | - | - | - | 16A | - |
| | 12.4 | 50 | - | - | 52A | - | - | - | 18A |

Unit must be grounded. Main supply voltage fluctuations are not to exceed $\pm 10\%$ nominal supply voltage.

Clearance from combustible and non-combustible construction should be a minimum of 4" in the back and 2" on the sides.

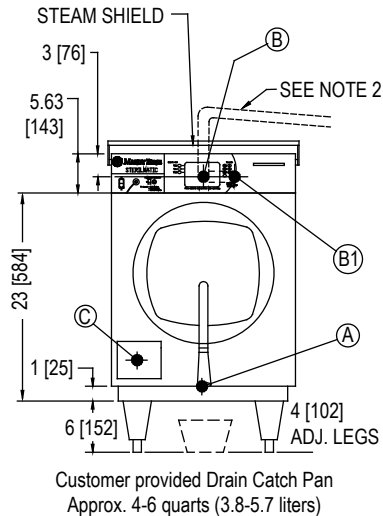
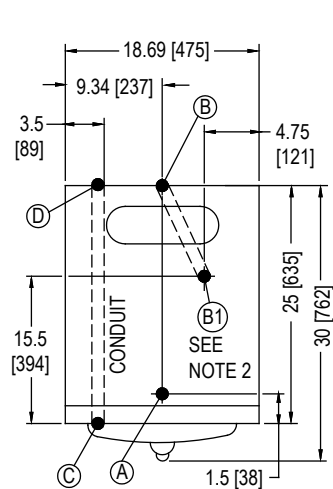
SERVICE CONNECTIONS

| | |
|----------|-------------------------------------------------------------------------|
| A | Drain - 1/2" (13mm) N.P.T. of 3/8" (10mm) OD copper (see note 1) |
| B | Steam Exhaust Connection - 5/8" (16mm) (see note 2) |
| C | Electrical Connection - (*see electrical specifications) |
| D | Power Supply |

NOTES:

1. An air break must be provided if a unit drain line is run.
2. Vent exhaust to atmosphere. B1 is actual connection, but must exit casing at B.
3. Heat of Rejection (Heat Loss Into the Room) 6,000 BTU'S.
4. For use at altitudes up to 6500ft (200m).

DIMENSIONS ARE IN INCHES [MM]



WATER SUPPLY

Good quality water feed is the responsibility of the owner. Water quality must be within the following general guidelines.

| | |
|----------------------|----------------------|
| TDS: 40-125 ppm | Hardness: 35-100 ppm |
| Silica: <13 ppm | Chlorides: <25 ppm |
| Chloramine: <0.2 ppm | Chlorine: <0.2 ppm |
| pH: 7.0 - 8.5 | |

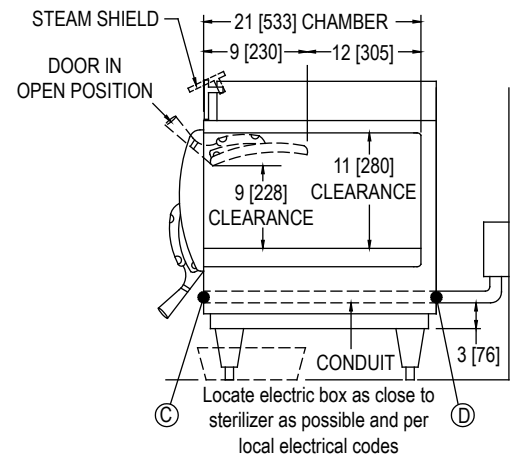
The best defense against poor water quality is a water treatment system designed to meet your water quality conditions.

Appliance to be installed with backflow protection according to federal, state or local codes.

IMPORTANT: Exhaust line must be vented to the outside to eliminate the exhaust steam and the accompanying noise from entering the room. Use 1/2" (13mm) copper tubing or suitable alternate. The overall height and length of the line should not rise more than 4' (1.2 meters) above the unit and exceed 15' (4.5 meters) with a minimum of bends. The line should slope downward after leaving the sterilizer in order to ensure condensate drainage.

IMPORTANT: Failure to comply with this outline will affect the sterilization process.

When an exhaust condenser is supplied; the following services must be provided: 1/2" (13mm) cold water; 1" (25mm) waste; 115V electrical line.



The manufacturer reserves the right to modify materials and specifications without notice.